

A11 (ISO2) Bent Axis Piston Pump

ISO2 Mounting Flange High Pressure Bent Axis Pump

High Pressure Hydraulic Bent Axis Piston Pumps, High Pressure, 400/450 BAR Working Pressure. High Rotational Speed, High Efficiency, Slim Design, Cast Iron Pump Body, Re-Designed in 2025.

Designation;

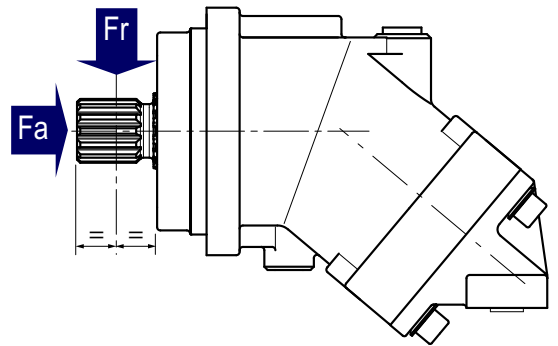
5cc, 10cc, 12cc, 18cc, 25cc, 32cc, 41cc, 50cc,
56cc, 63cc,



www.goldhydraulics.com

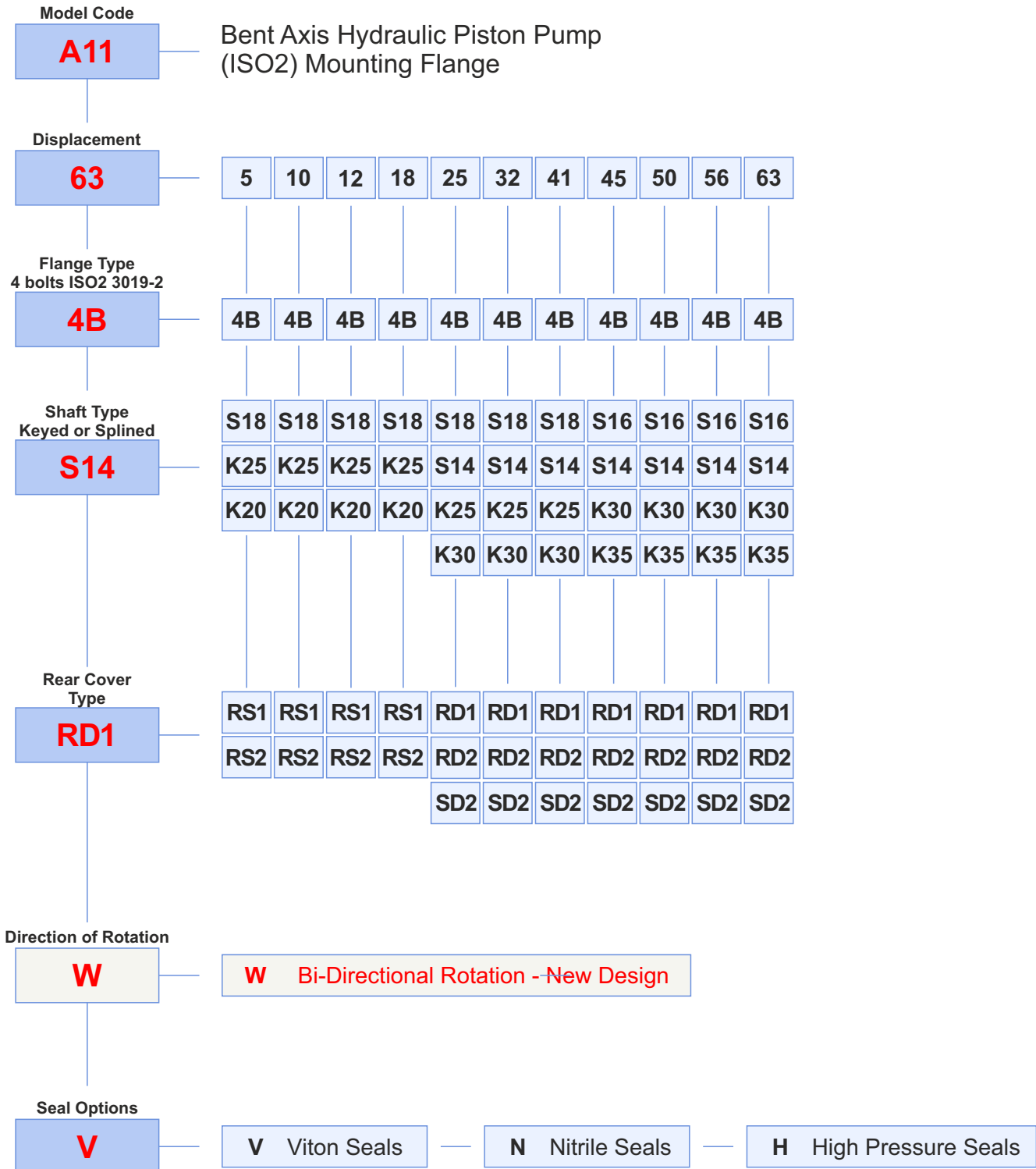
Characteristics of the A11 - ISO2 Flange Bent Axis Pumps

| Pump MODEL | DISPL. (cc) | CONTINUOUS MAX. SPEED (rpm) | INTERMITTENT MAX. SPEED (rpm) | MAX. FLOW ABSORBED (l/mn) | TORQUE BAR (m.N/bar) | TORQUE AT 350 BAR (m.N) | THEORETICAL MAX. POWER AT 400 BAR (HP / kW) | MAX. ALLOW PRESSURE CONTN./PEAK (bar) | WEIGHT (kg) |
|------------|-------------|-----------------------------|-------------------------------|---------------------------|----------------------|-------------------------|---|---------------------------------------|-------------|
| 5 cc | 5.1 | 8800 | 9600 | 45 | 0.09 | 46 | 64.1 / 48.2 | 400 / 450 | 5.2 |
| 10 cc | 10.2 | 8600 | 9400 | 88 | 0.14 | 58 | 72.9 / 54.4 | 400 / 450 | 5.5 |
| 12 cc | 12.0 | 8000 | 8800 | 96 | 0.19 | 67 | 85.5 / 64.4 | 400 / 450 | 5.5 |
| 18 cc | 18.0 | 8000 | 8800 | 144 | 0.28 | 99 | 128.5 / 95.9 | 400 / 450 | 5.5 |
| 25 cc | 25.0 | 6300 | 6900 | 158 | 0.40 | 139 | 140.0 / 104.4 | 400 / 450 | 11.4 |
| 32 cc | 32.0 | 6300 | 6900 | 202 | 0.50 | 178 | 180.5 / 134.4 | 400 / 450 | 11.5 |
| 41 cc | 41.0 | 5600 | 6200 | 230 | 0.65 | 228 | 205.2 / 153.1 | 400 / 450 | 11.6 |
| 45 cc | 45.0 | 5600 | 6200 | 252 | 0.72 | 253 | 202.4 / 151.8 | 400 / 450 | 17.9 |
| 50 cc | 50,3 | 5000 | 5500 | 252 | 0.80 | 280 | 224.1 / 167.5 | 400 / 450 | 18.1 |
| 56 cc | 56,0 | 5000 | 5500 | 280 | 0.90 | 320 | 244.5 / 187.1 | 400 / 450 | 18.1 |
| 63 cc | 63.0 | 5000 | 5500 | 315 | 1.00 | 351 | 281.6 / 209.1 | 400 / 450 | 18.2 |

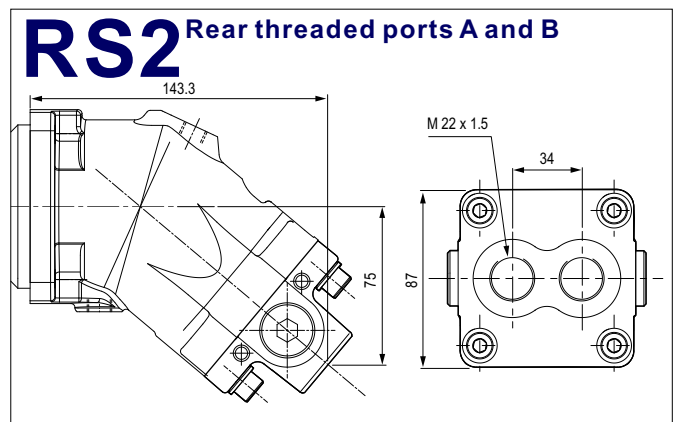
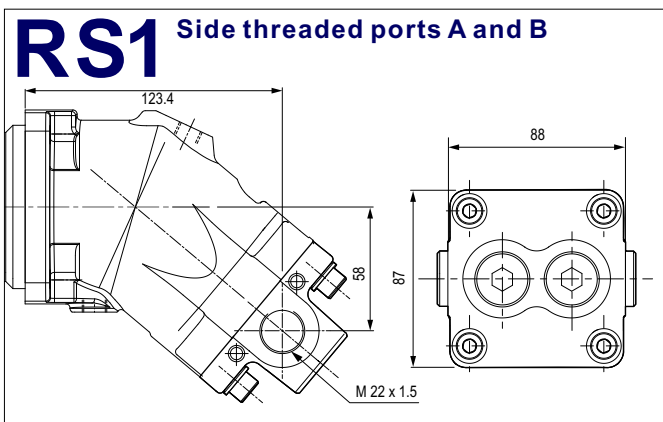
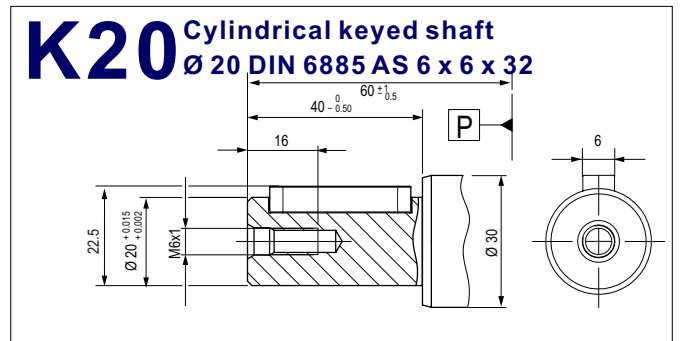
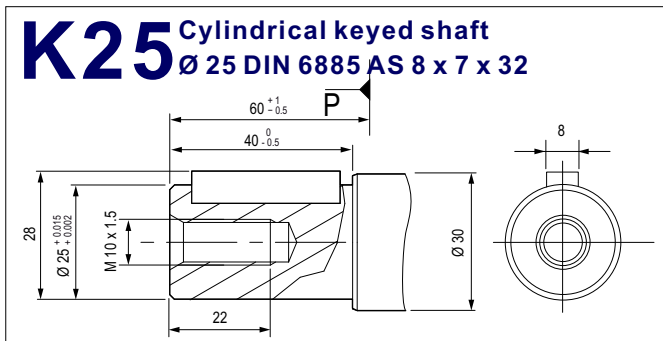
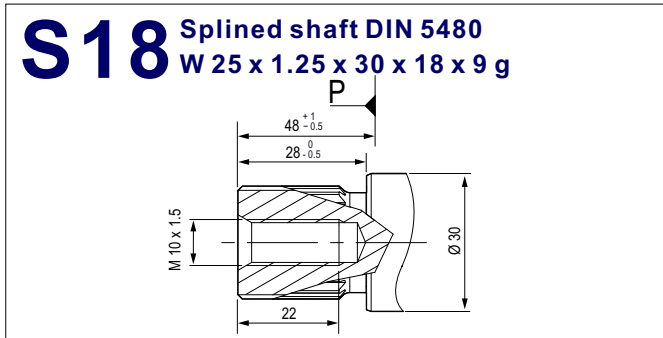
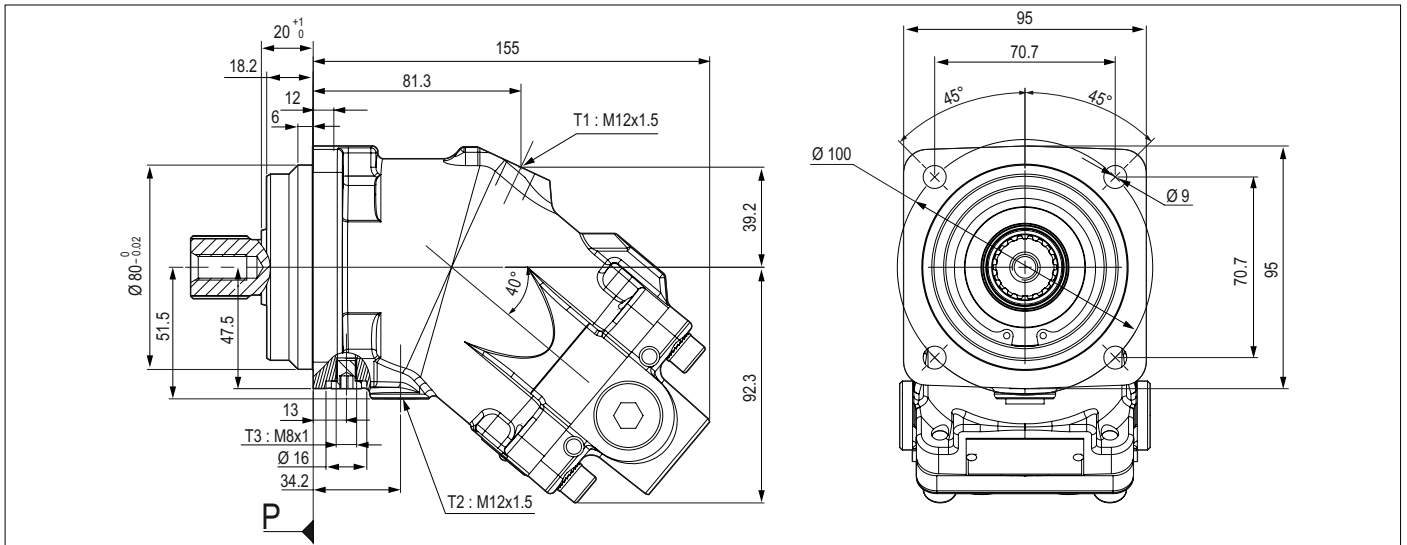


| Pump model | 5, 10, 12 | 18 cc | 25 cc | 32 cc | 41. 45 | 50 cc | 56, 63cc |
|-------------|-----------|-------|-------|--------|--------|-------|----------|
| Fr (lbf) | 630 | 900 | 1350 | 1462.5 | 1462.5 | 1686 | 2023 |
| Fr (N/bar) | 2800 | 4000 | 6000 | 6500 | 6500 | 7500 | 9000 |
| Fa (lbf) | 0.23 | 0.31 | 0.42 | 0.46 | 0.62 | 0.62 | 0.77 |
| Fa (N/bar) | (15) | (20) | (27) | (30) | (40) | (40) | (50) |

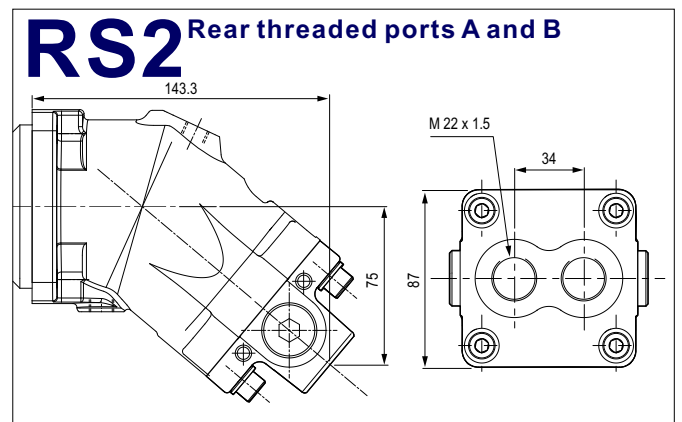
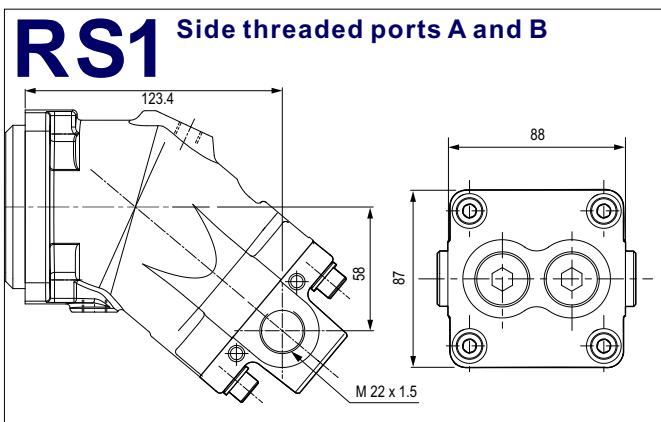
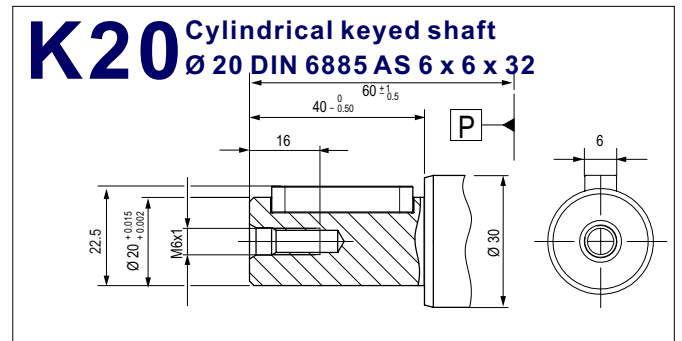
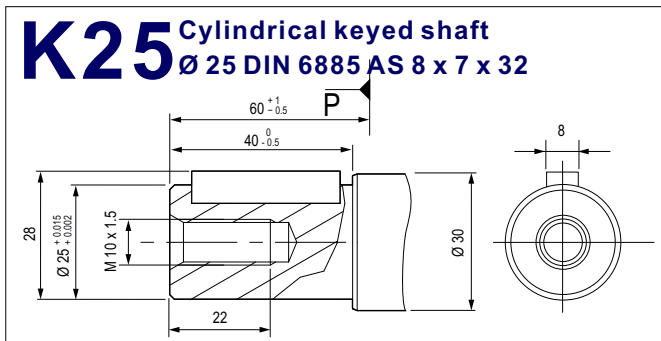
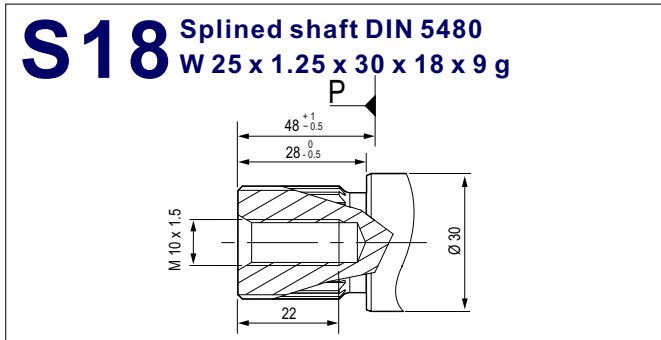
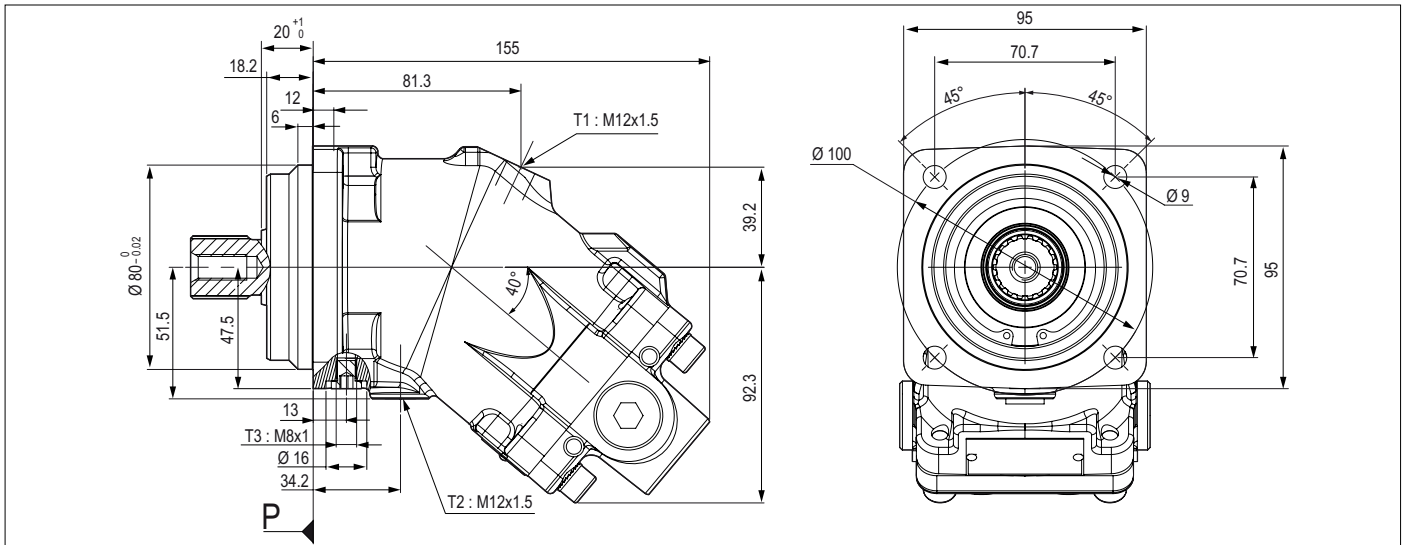
Ordering Code; A11 - ISO2 Flange Bent Axis Pumps



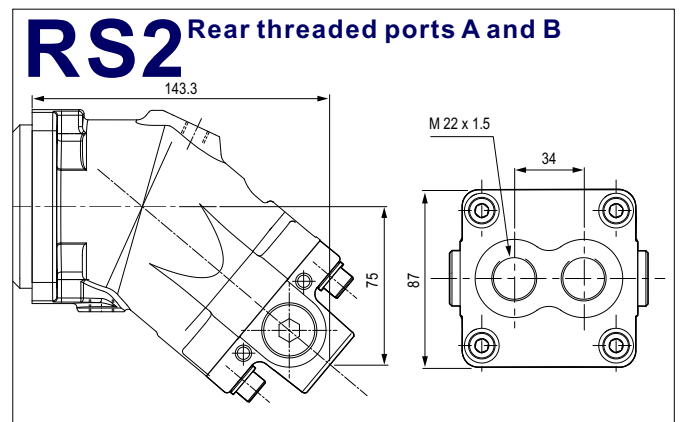
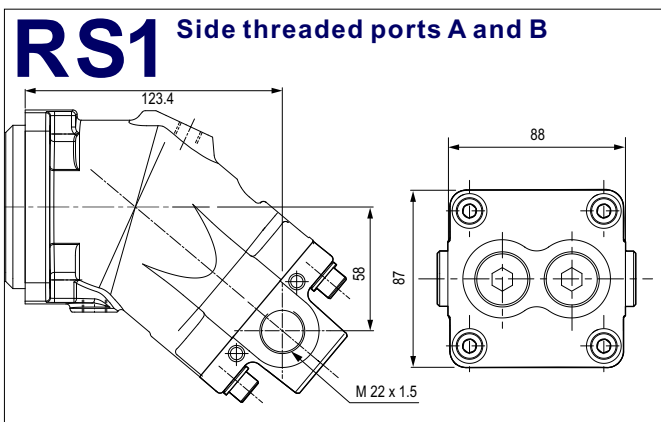
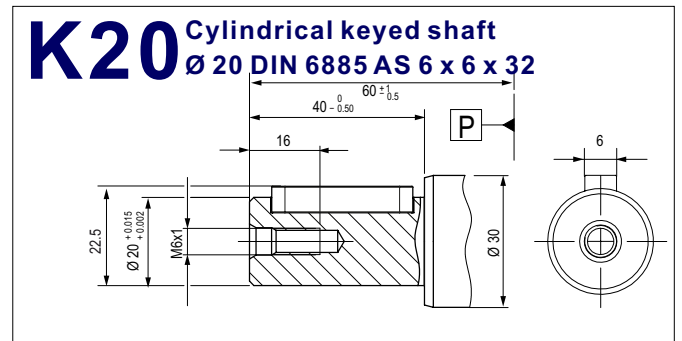
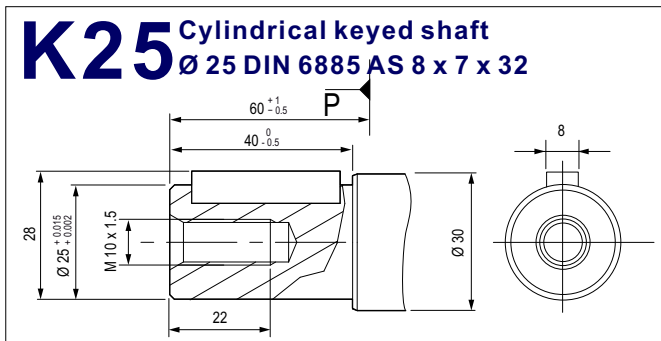
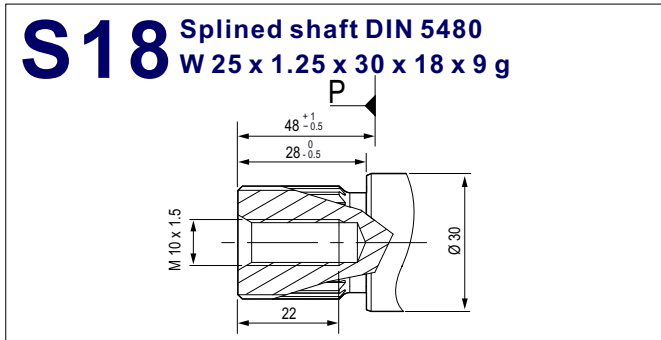
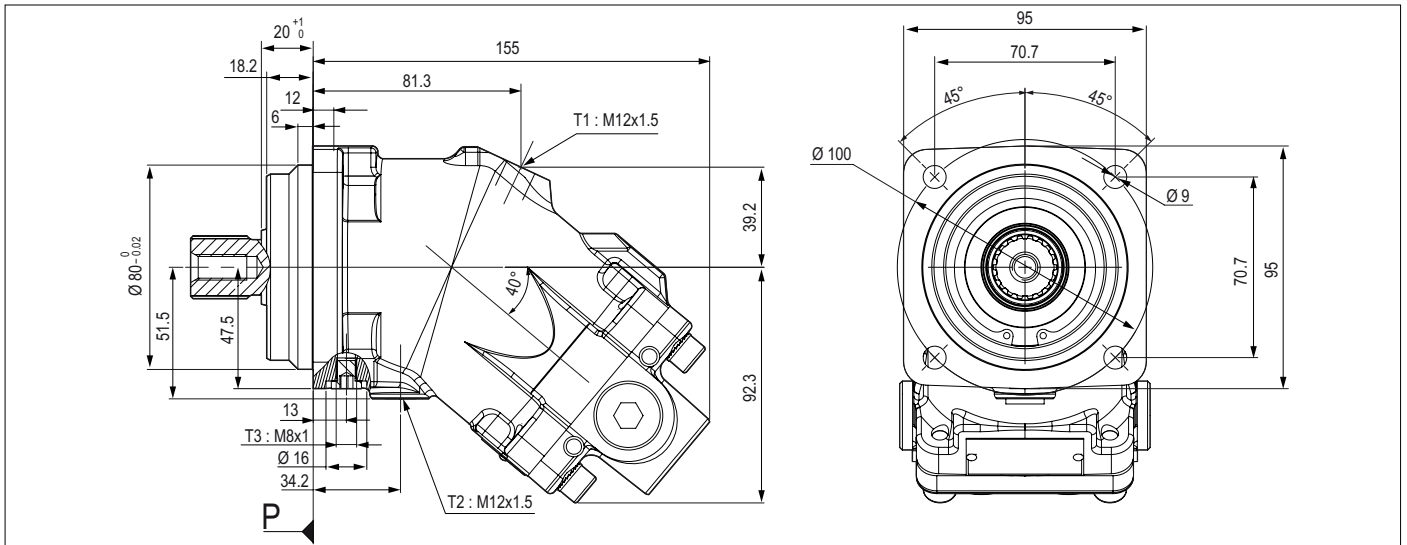
A11 - 5 cc (ISO2) Bent Axis Pump



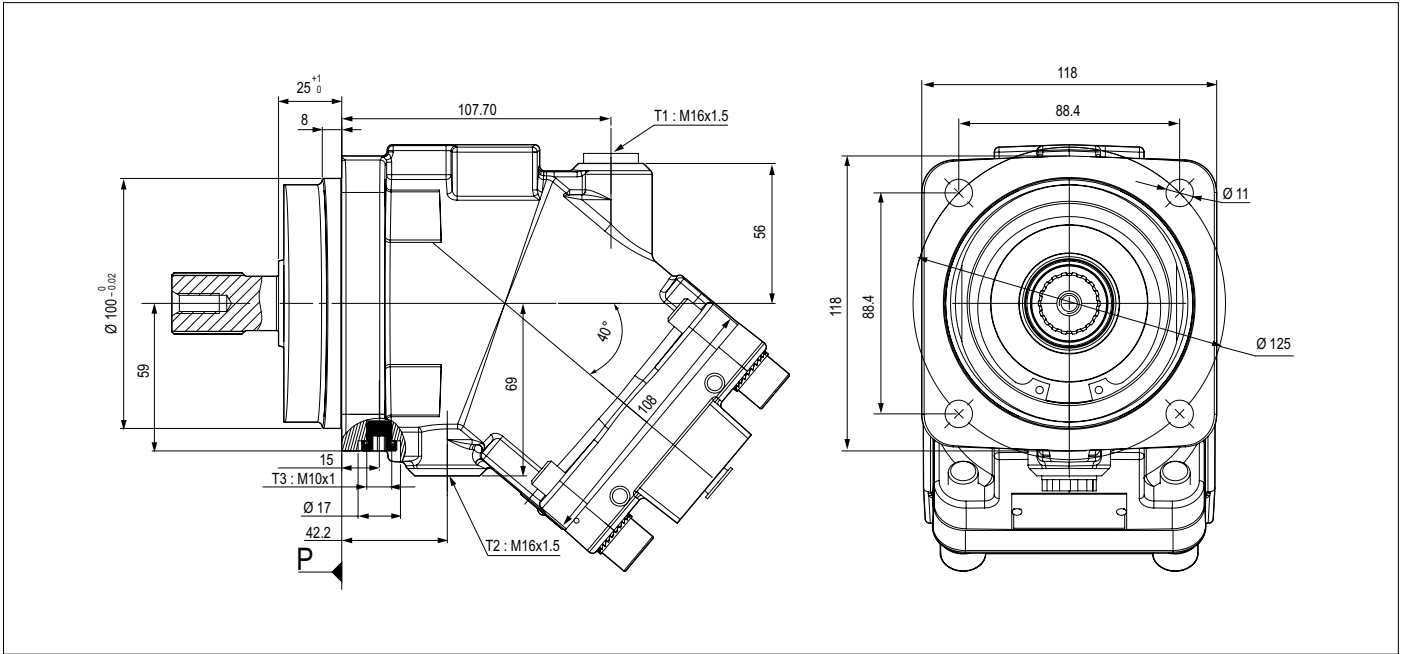
A11 - 10 cc (ISO2) Bent Axis Pump



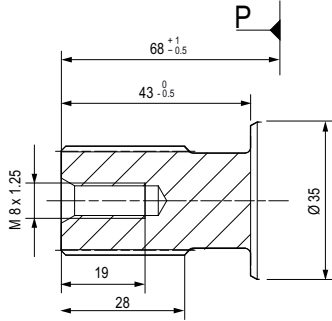
A11 - 18 cc (ISO2) Bent Axis Pump



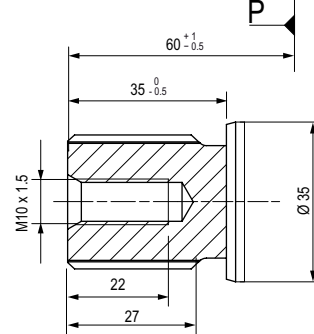
A11 - 25 cc (ISO2) Bent Axis Pump



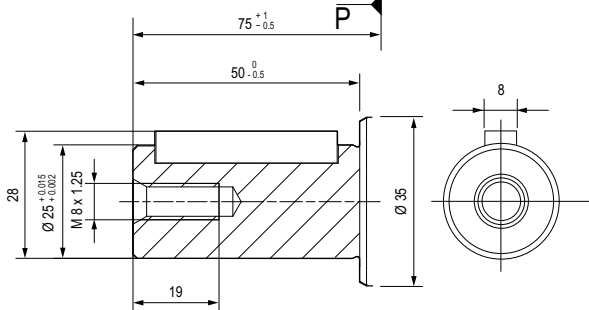
S18 Splined shaft DIN 5480 W 25 x 1.25 x 30 x 18 x 9 g



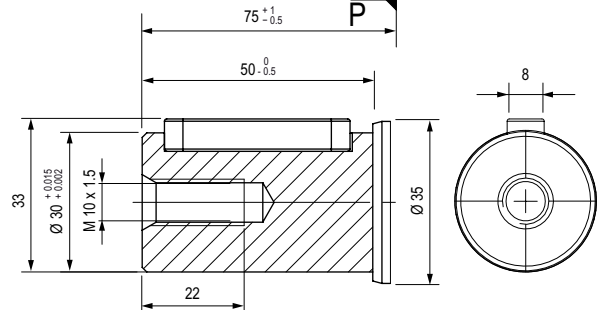
S14 Splined shaft DIN 5480 W 30 x 2 x 30 x 14 x 9 g



K25 Cylindrical keyed shaft $\varnothing 25$ DIN 6885 AS 8 x 7 x 40

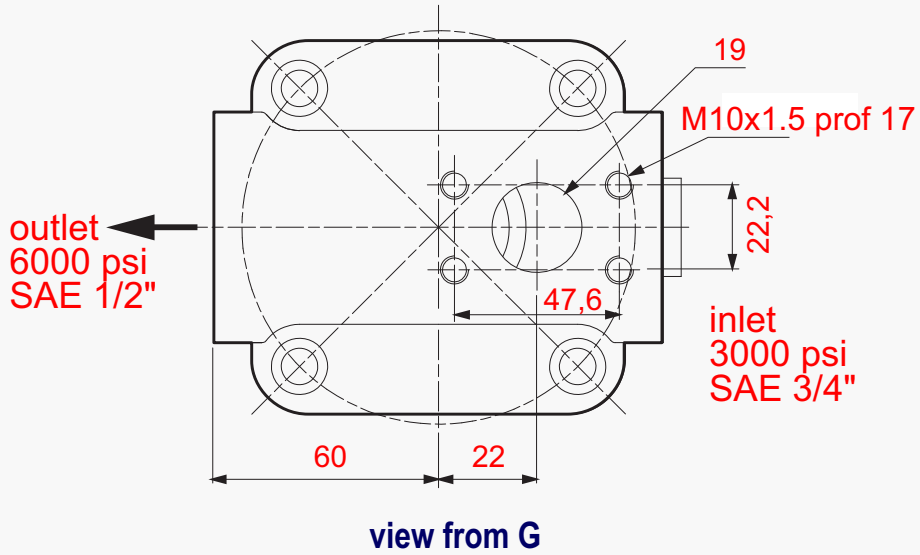


K30 Cylindrical keyed shaft $\varnothing 30$ DIN 6885 AS 8 x 7 x 40

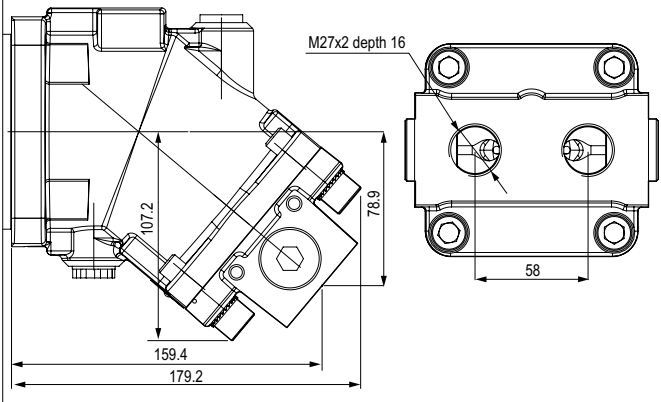


A11 - 25 cc (ISO2) Bent Axis Pump

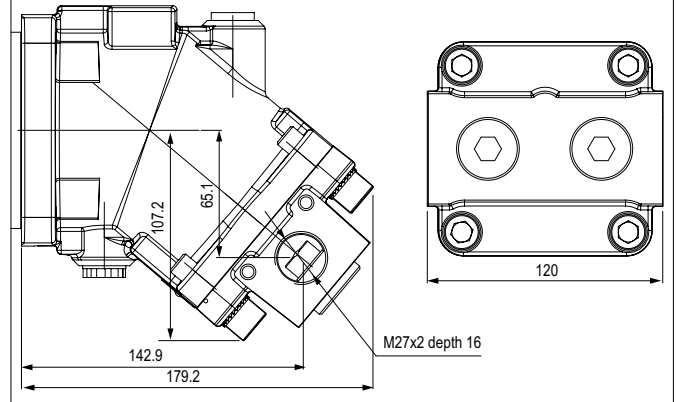
SLR



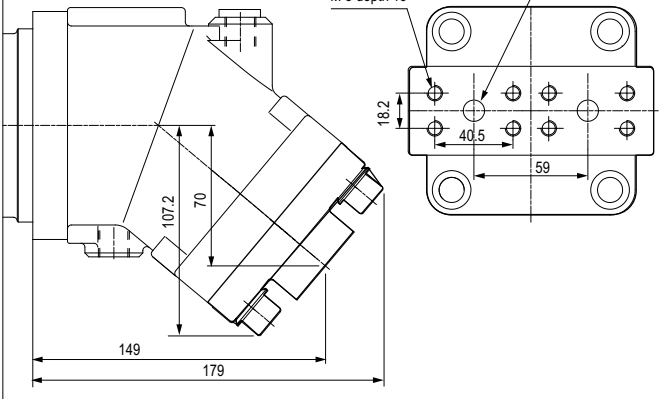
RD2 Rear threaded ports A and B



SD2 Side threaded ports A and B

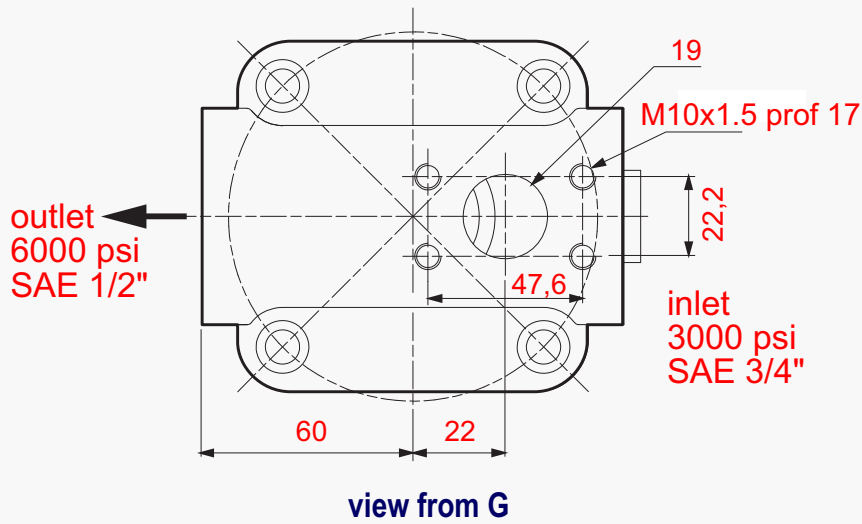


RD1 Rear flange ports A and B
SAE 1/2" 6000 psi

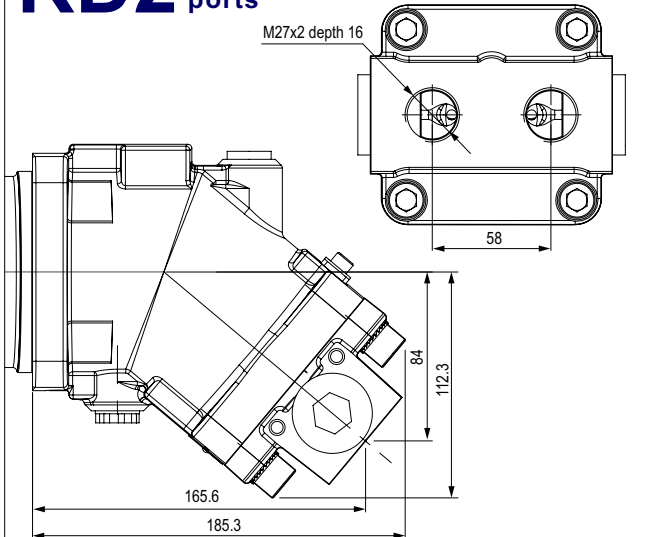


A11 - 32 cc (ISO2) Bent Axis Pump

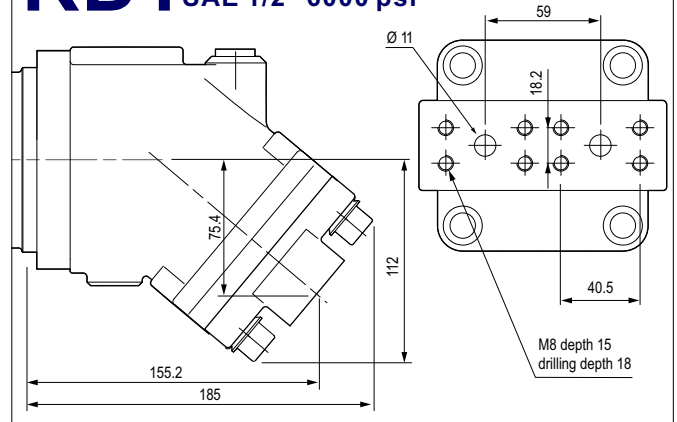
SLR



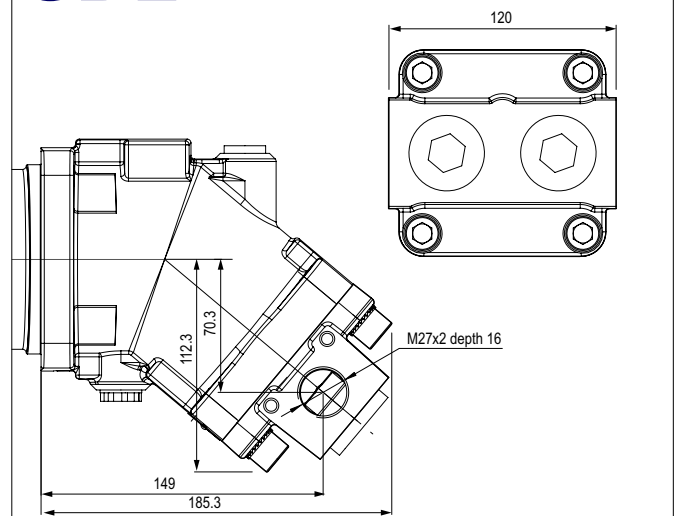
RD2 Rear threaded ports



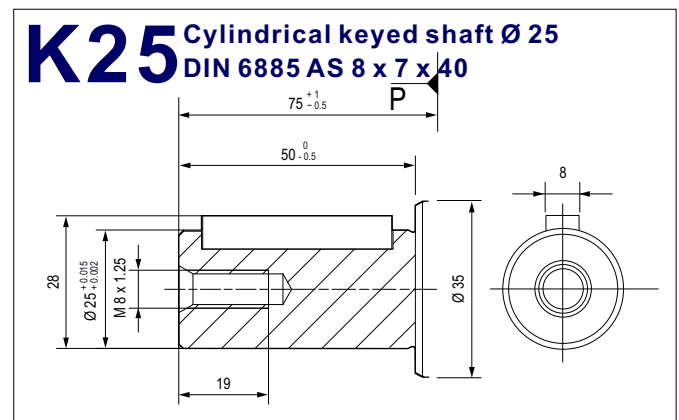
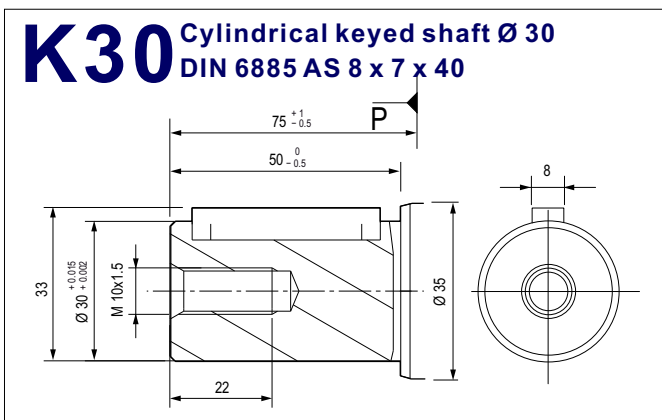
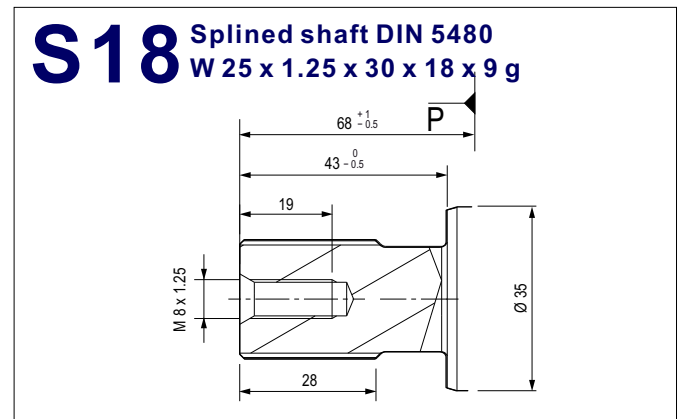
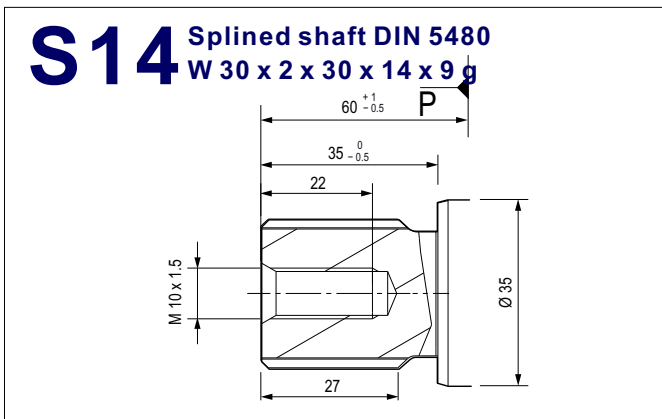
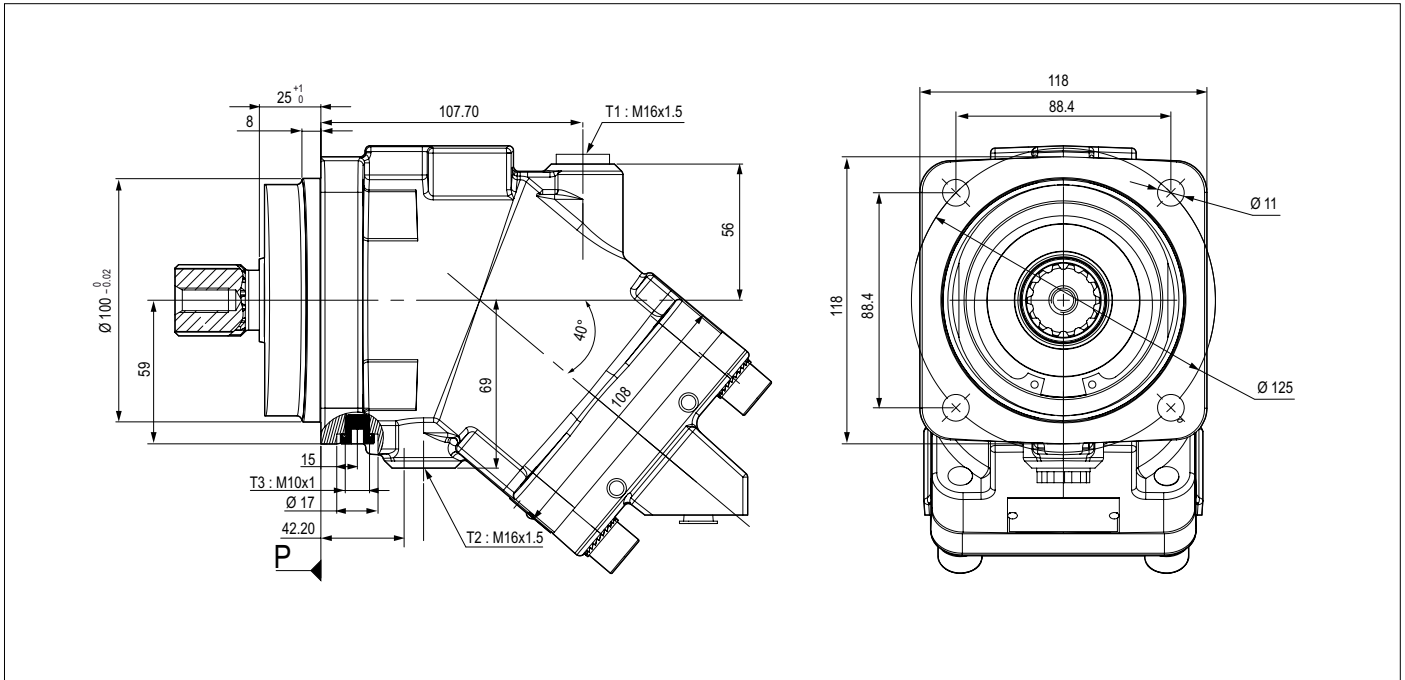
RD1 Rear flange ports SAE 1/2" 6000 psi



SD2 Side threaded ports A and B

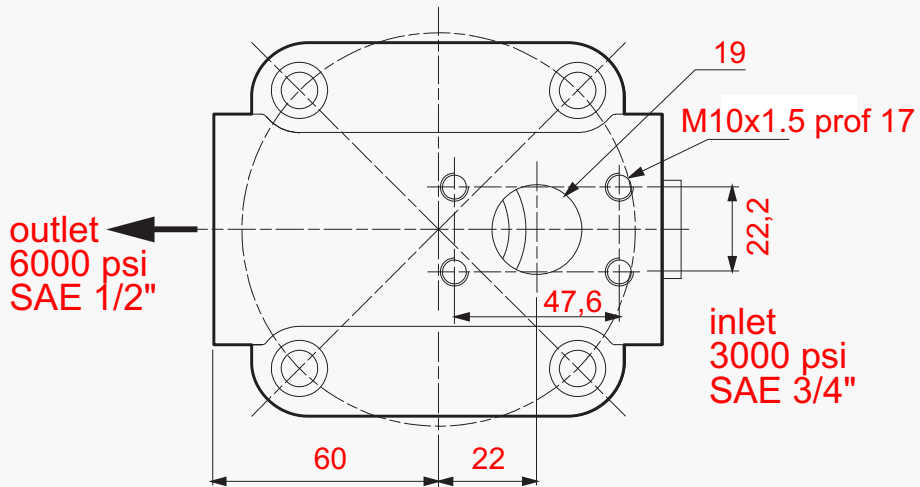


A11 - 41 cc (ISO2) Bent Axis Pump



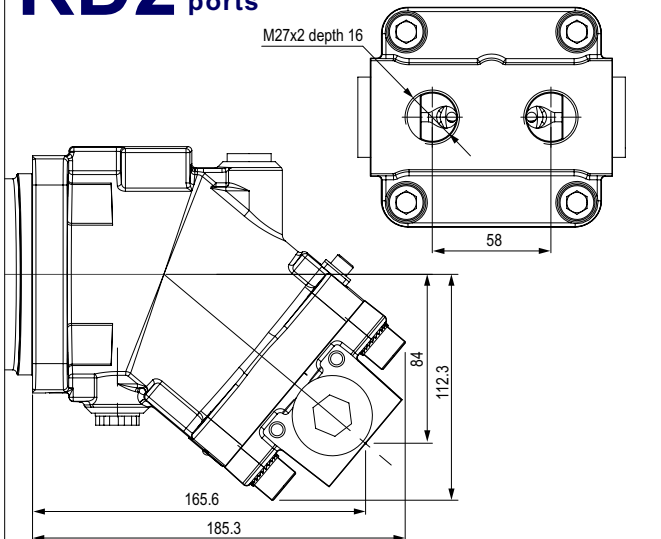
A11 - 41 cc (ISO2) Bent Axis Pump

SLR

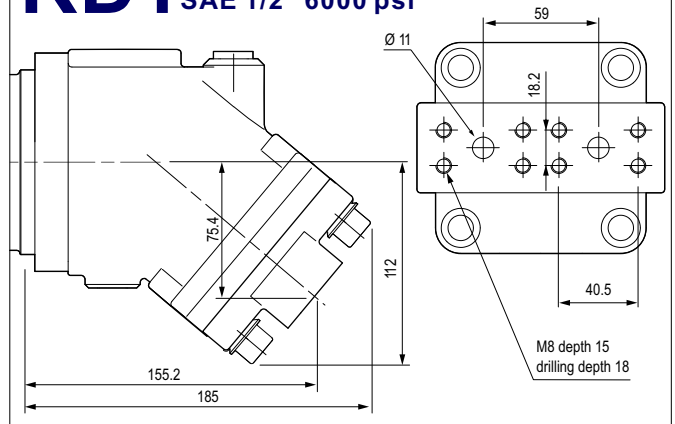


view from G

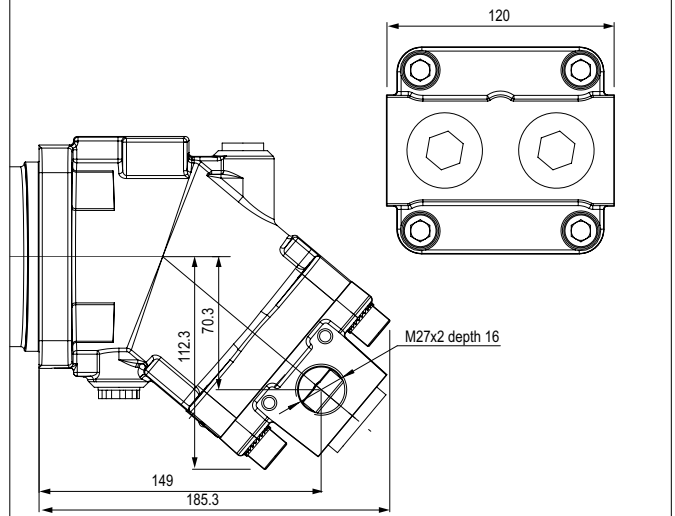
RD2 Rear threaded ports



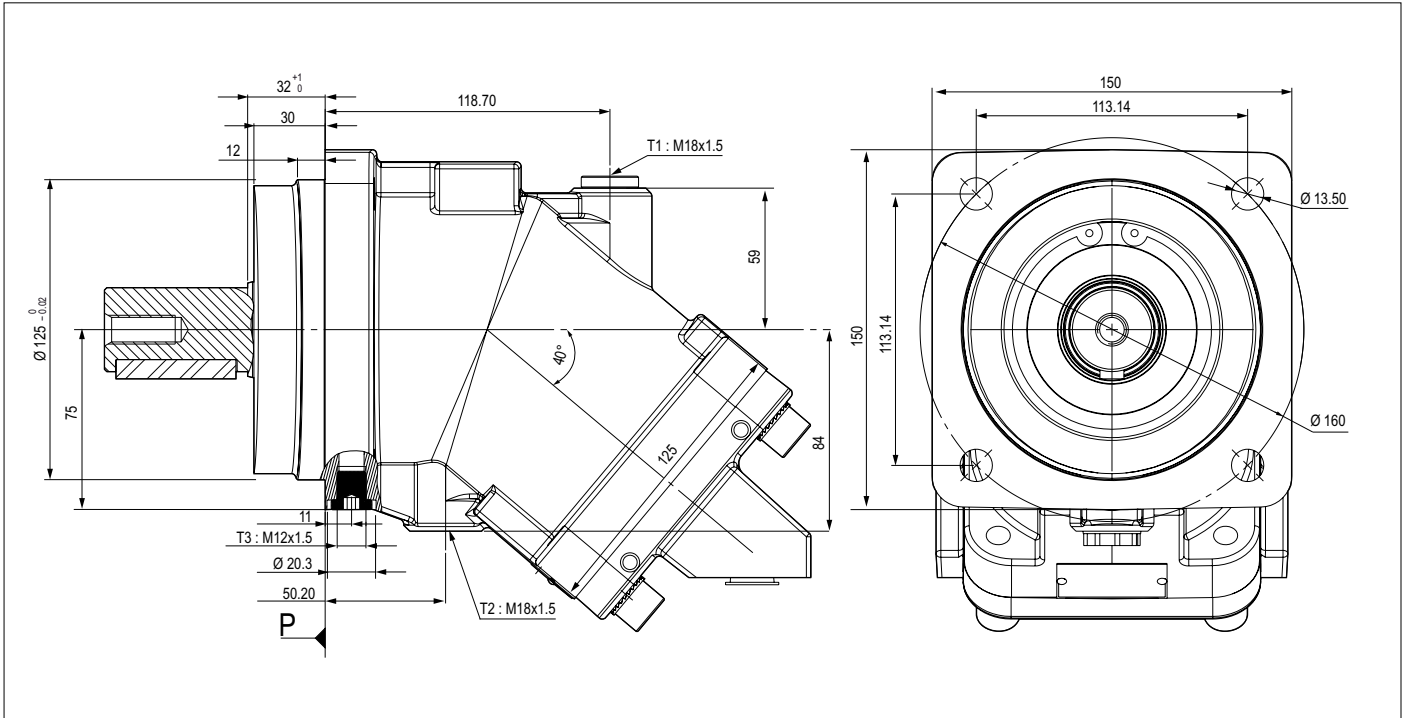
RD1 Rear flange ports SAE 1/2" 6000 psi



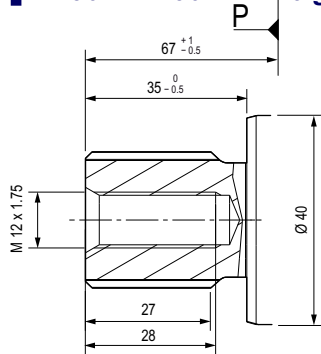
SD2 Side threaded ports A and B



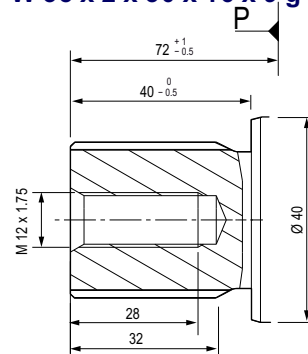
A11 - 45 cc (ISO2) Bent Axis Pump



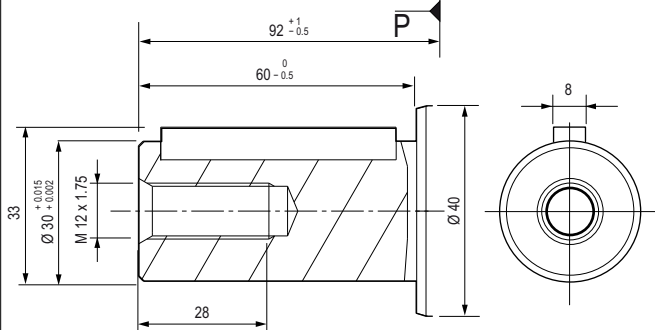
S14 Splined shaft DIN 5480 W 30 x 2 x 30 x 14 x 9 g



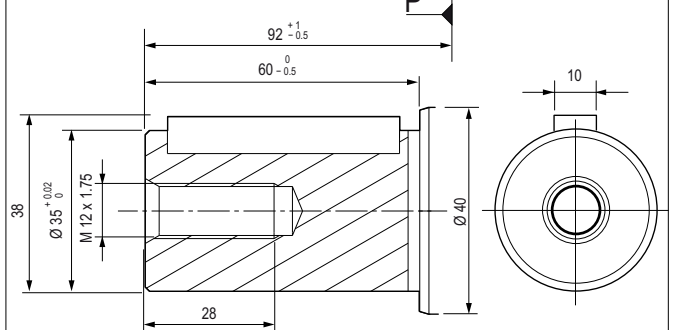
S16 Splined shaft DIN 5480 W 35 x 2 x 30 x 16 x 9 g



K30 Cylindrical keyed shaft $\varnothing 30$ DIN 6885 AS 8 x 7 x 40

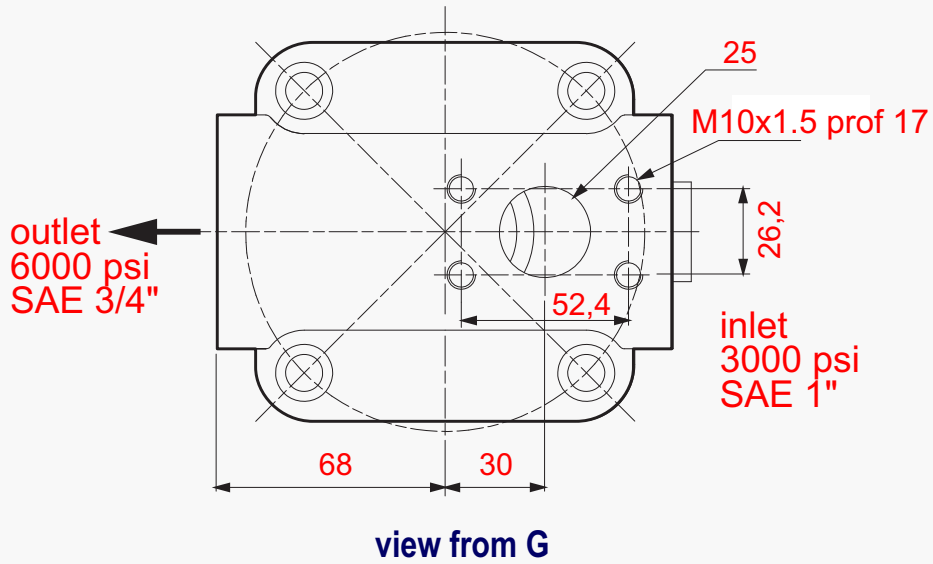


K35 Cylindrical keyed shaft $\varnothing 35$ DIN 6885 AS 10 x 8 x 50

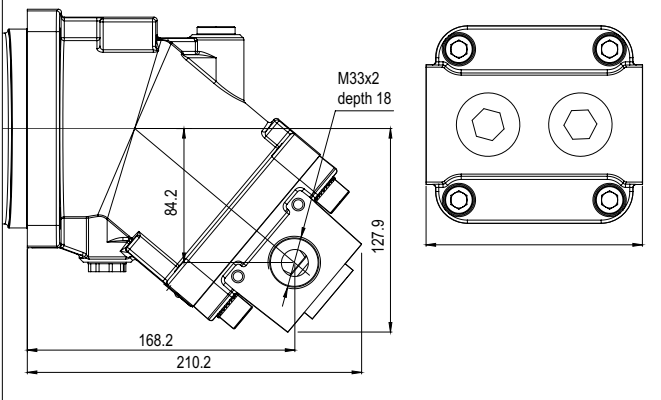


A11 - 45 cc (ISO2) Bent Axis Pump

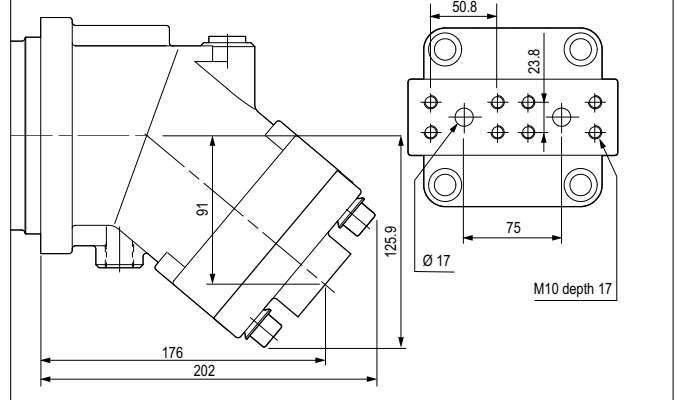
SLR



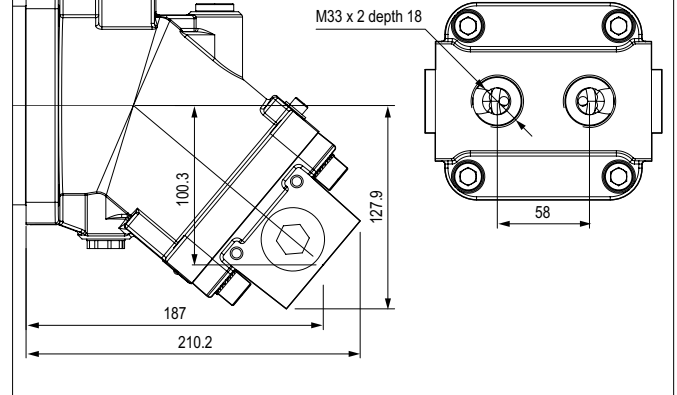
SD2 Side threaded ports A and B



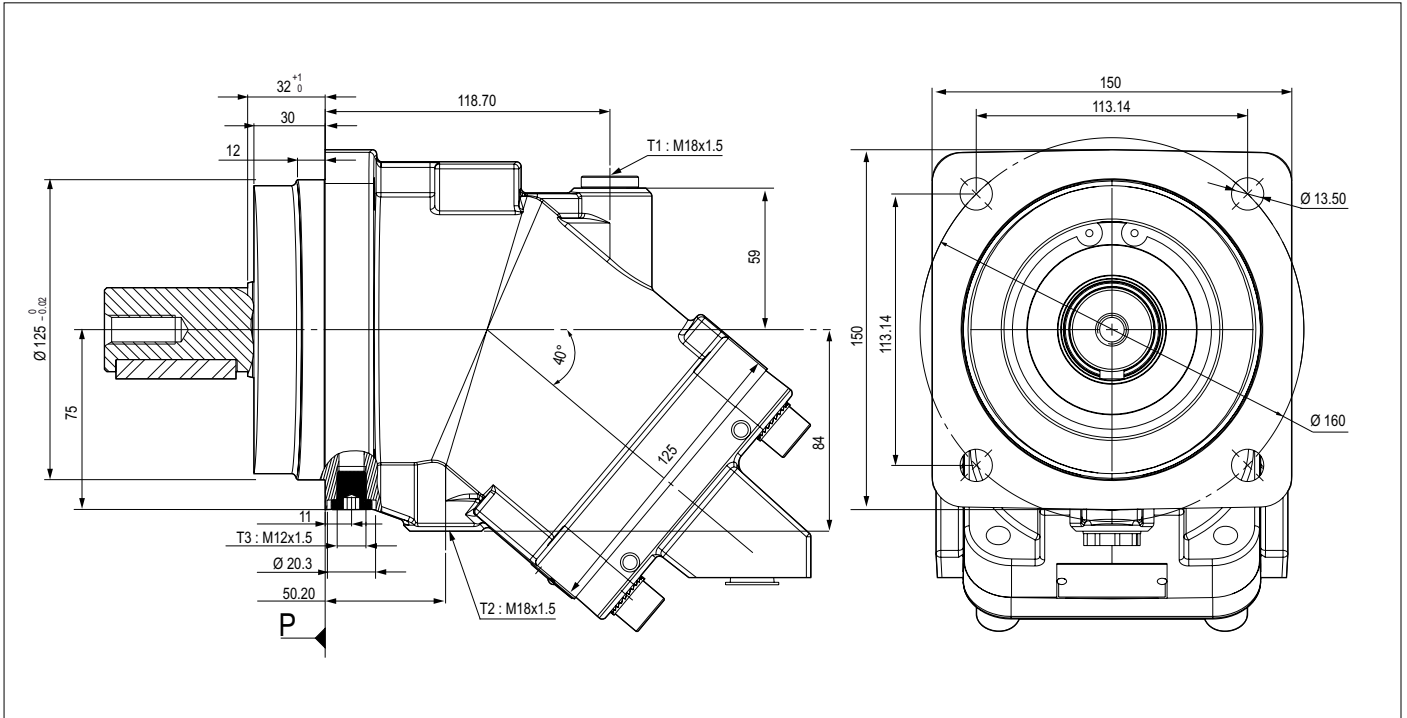
RD1 SAE flange ports, rear SAE 3/4" 6000 psi



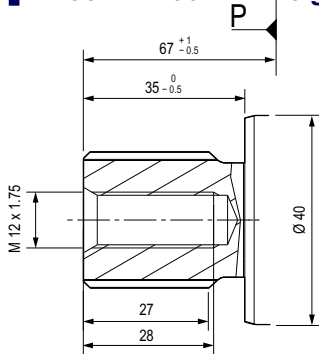
RD2 Rear threaded ports



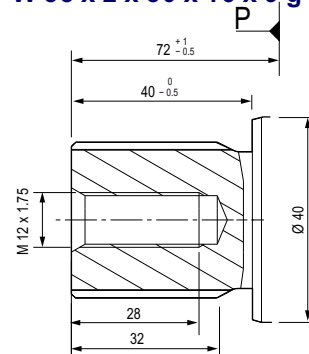
A11 - 50 cc (ISO2) Bent Axis Pump



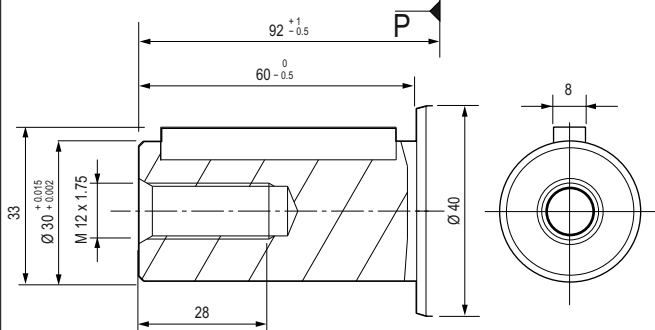
S14 Splined shaft DIN 5480 W 30 x 2 x 30 x 14 x 9 g



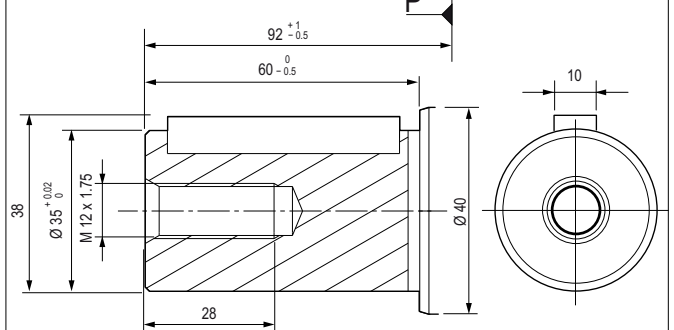
S16 Splined shaft DIN 5480 W 35 x 2 x 30 x 16 x 9 g



K30 Cylindrical keyed shaft $\varnothing 30$ DIN 6885 AS 8 x 7 x 40

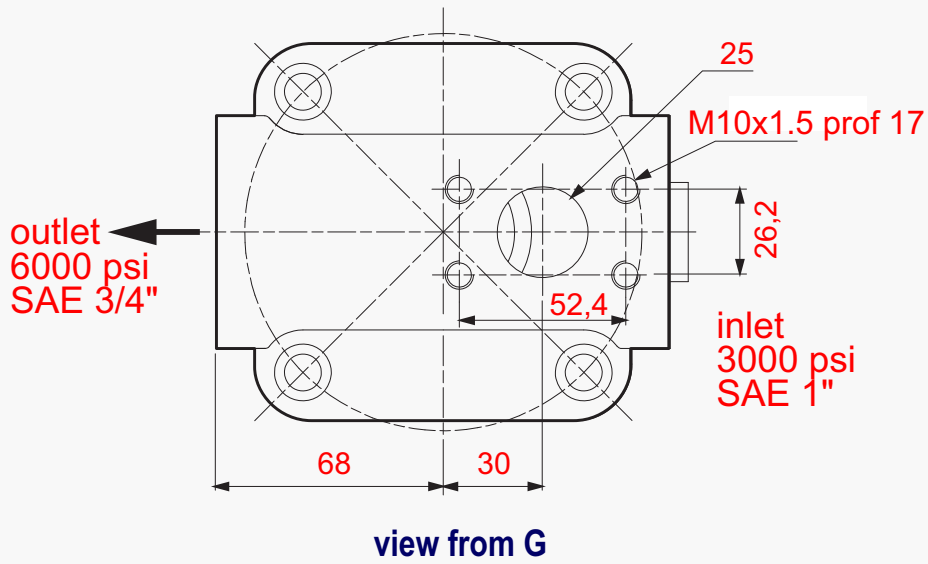


K35 Cylindrical keyed shaft $\varnothing 35$ DIN 6885 AS 10 x 8 x 50

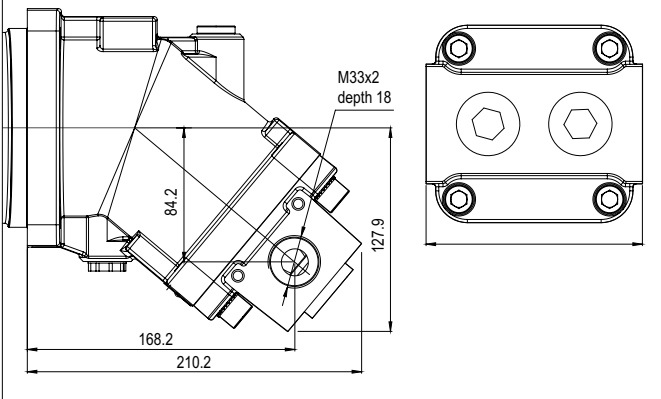


A11 - 50 cc (ISO2) Bent Axis Pump

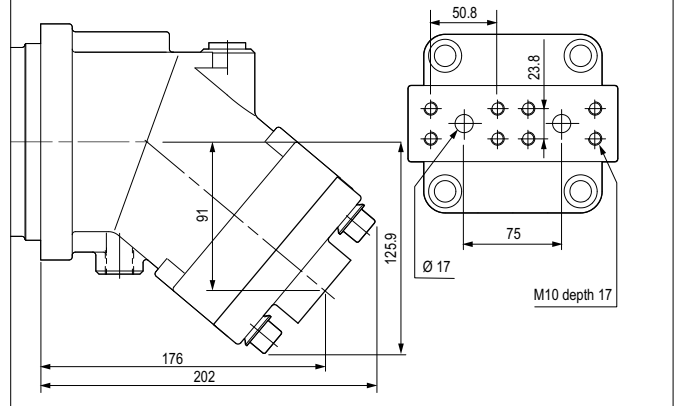
SLR



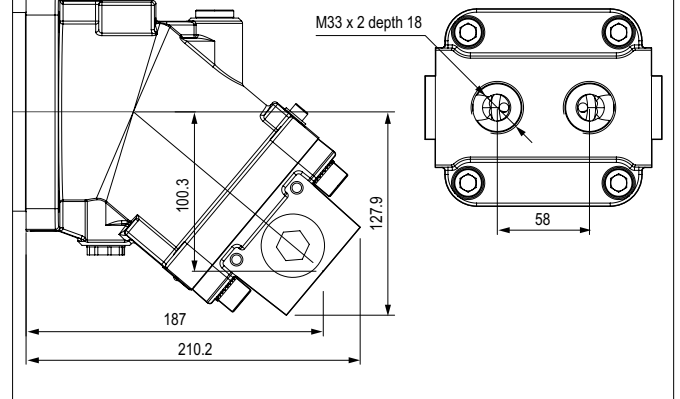
SD2 Side threaded ports A and B



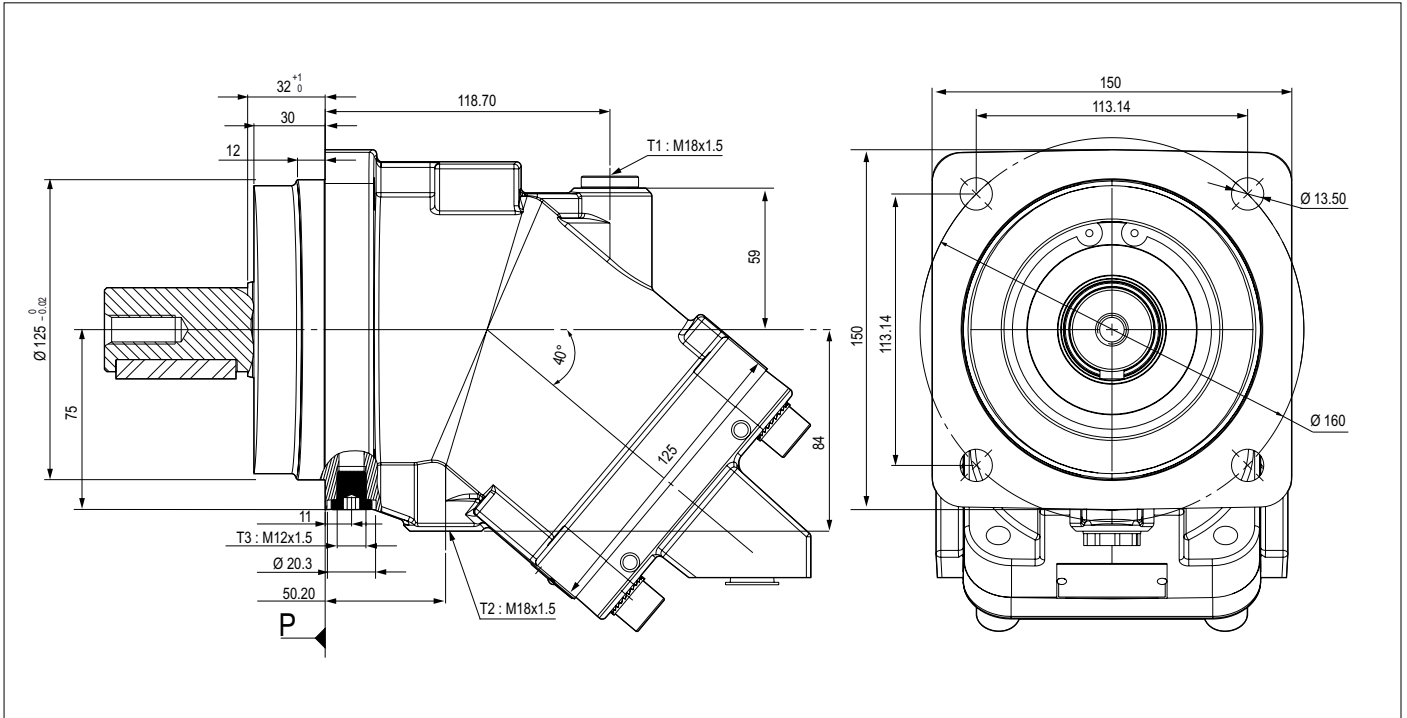
RD1 SAE flange ports, rear SAE 3/4" 6000 psi



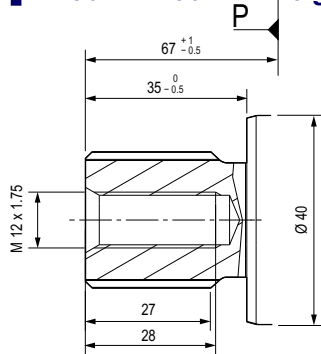
RD2 Rear threaded ports



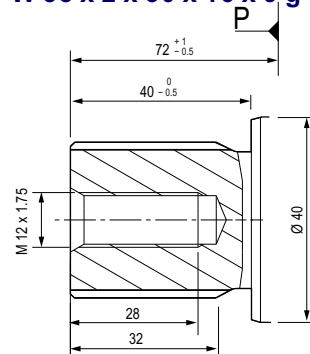
A11 - 56 cc (ISO2) Bent Axis Pump



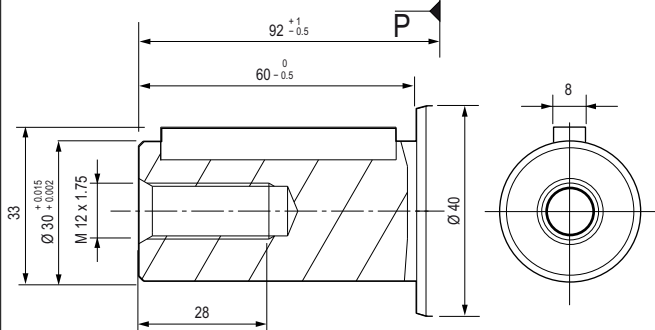
S14 Splined shaft DIN 5480 W 30 x 2 x 30 x 14 x 9 g



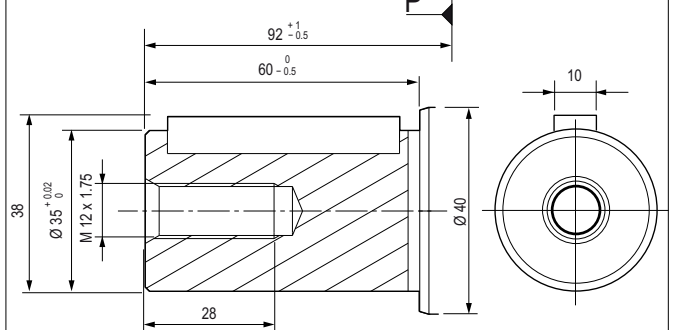
S16 Splined shaft DIN 5480 W 35 x 2 x 30 x 16 x 9 g



K30 Cylindrical keyed shaft $\varnothing 30$ DIN 6885 AS 8 x 7 x 40

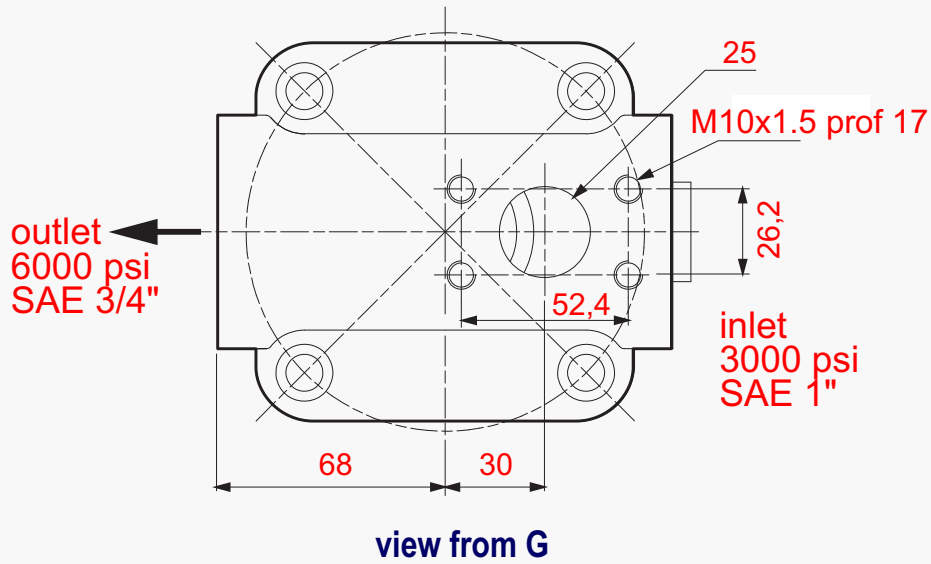


K35 Cylindrical keyed shaft $\varnothing 35$ DIN 6885 AS 10 x 8 x 50

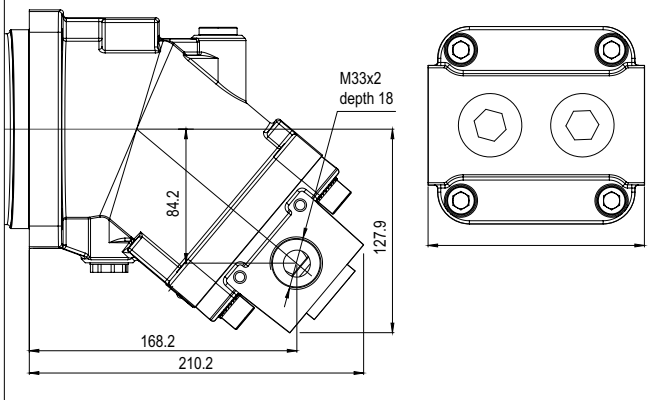


A11 - 56 cc (ISO2) Bent Axis Pump

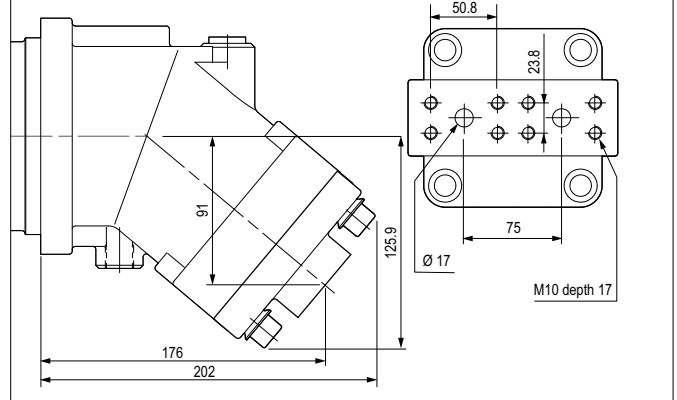
SLR



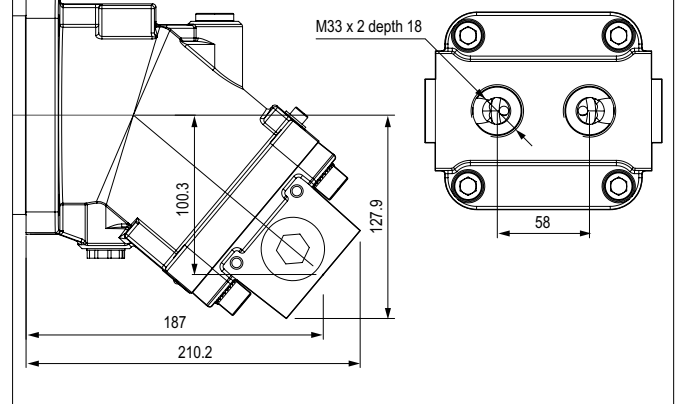
SD2 Side threaded ports A and B



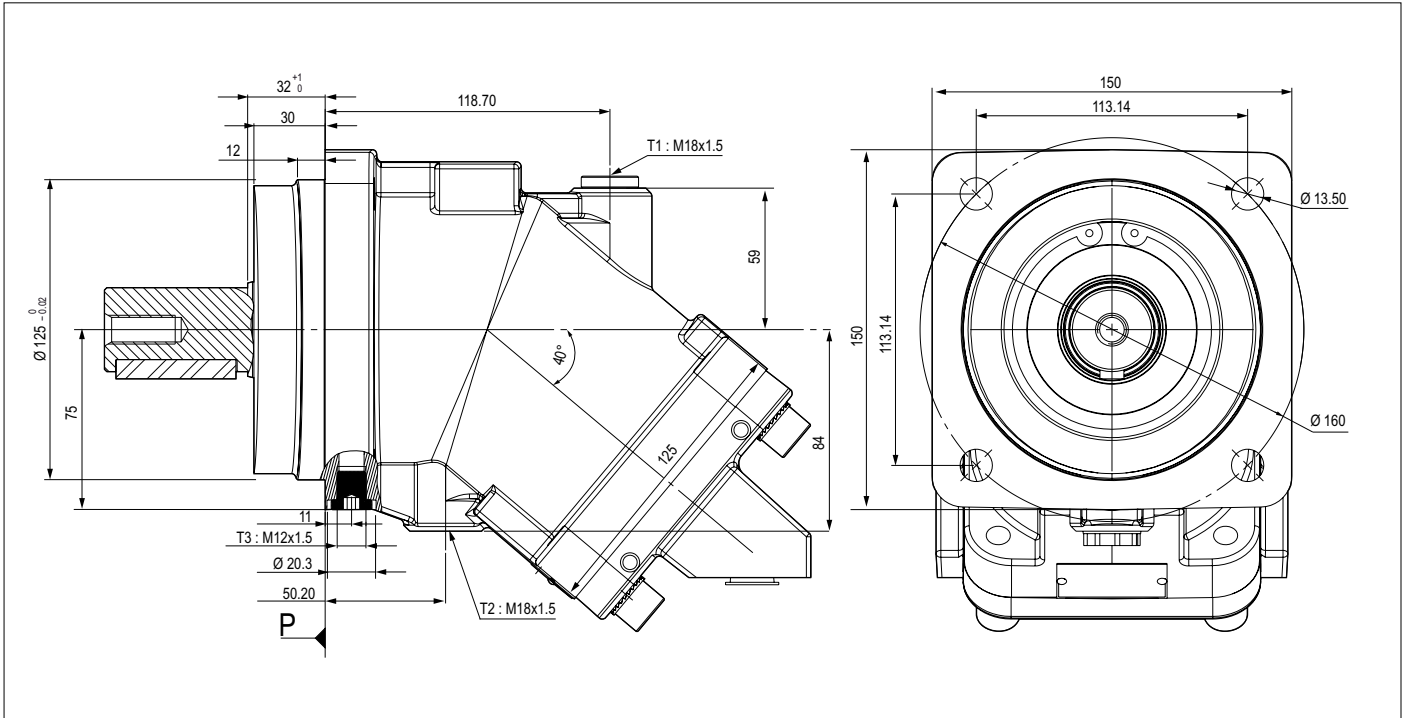
RD1 SAE flange ports, rear SAE 3/4" 6000 psi



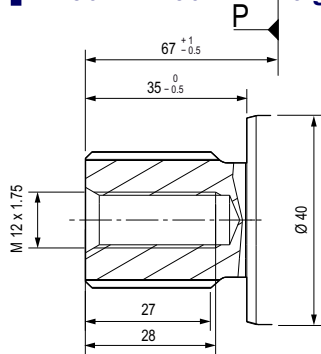
RD2 Rear threaded ports



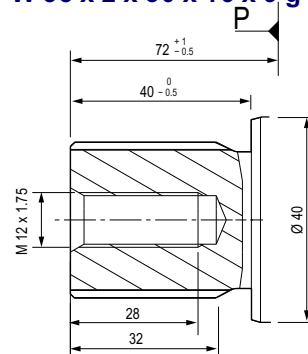
A11 - 63 cc (ISO2) Bent Axis Pump



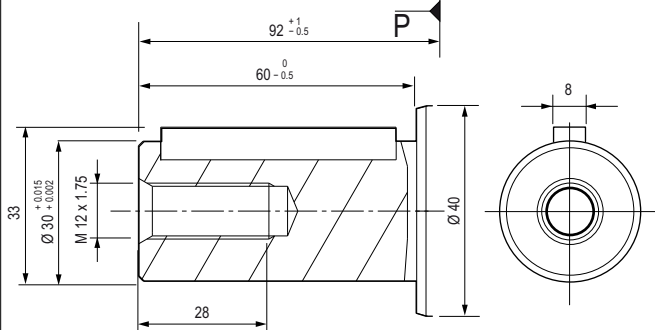
S14 Splined shaft DIN 5480 W 30 x 2 x 30 x 14 x 9 g



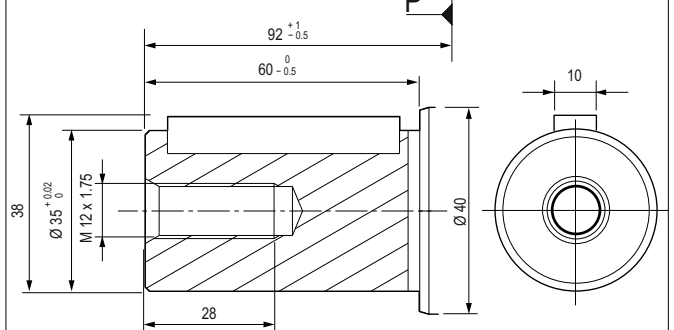
S16 Splined shaft DIN 5480 W 35 x 2 x 30 x 16 x 9 g



K30 Cylindrical keyed shaft $\varnothing 30$ DIN 6885 AS 8 x 7 x 40

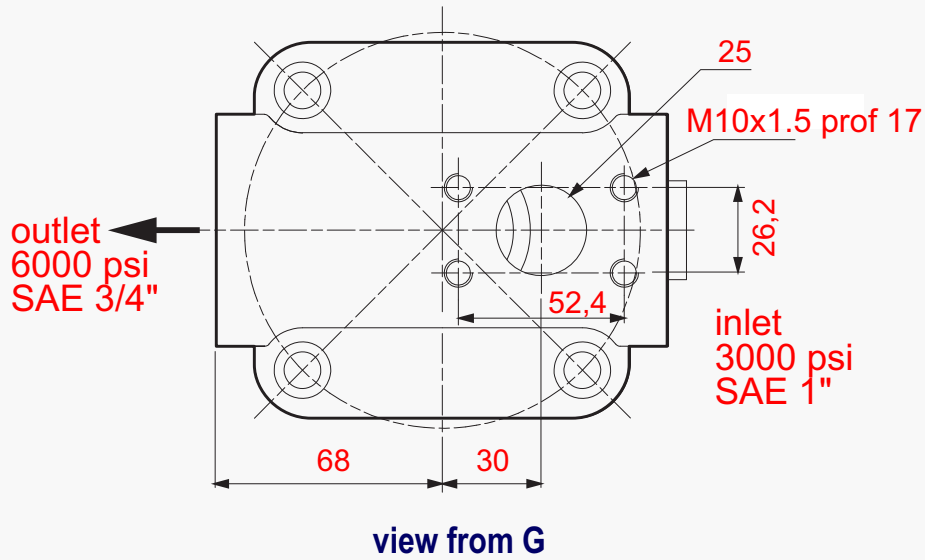


K35 Cylindrical keyed shaft $\varnothing 35$ DIN 6885 AS 10 x 8 x 50

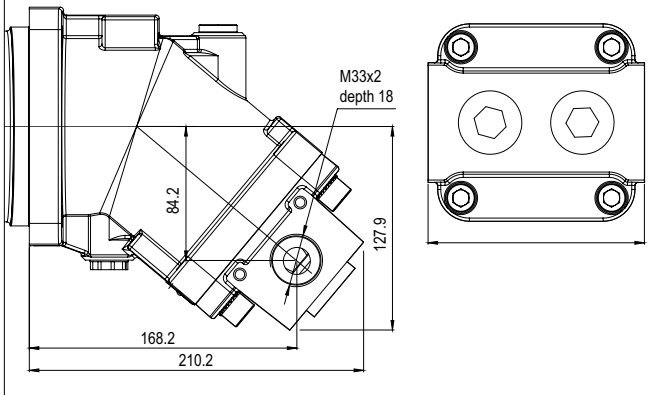


A11 - 63 cc (ISO2) Bent Axis Pump

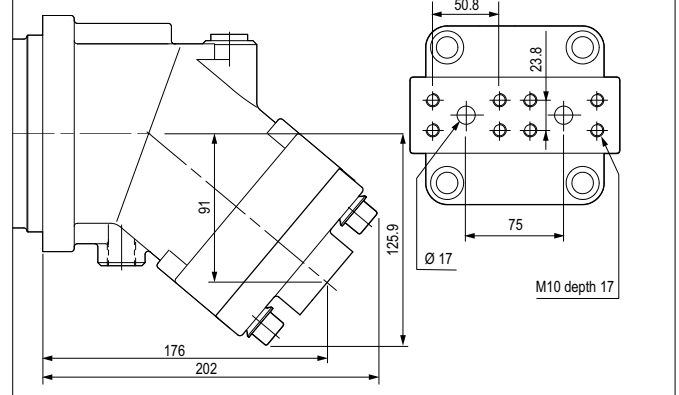
SLR



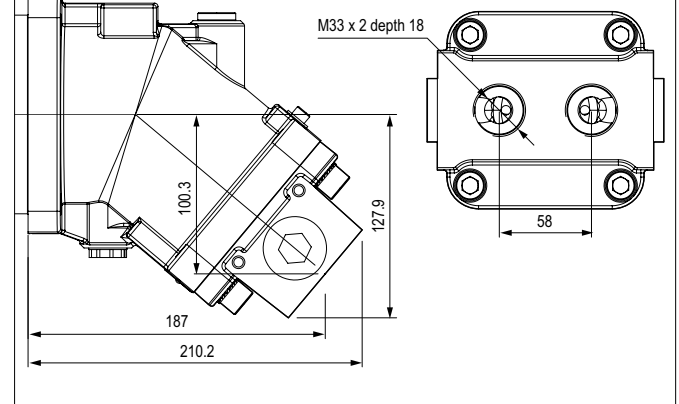
SD2 Side threaded ports A and B



RD1 SAE flange ports, rear SAE 3/4\" 6000 psi

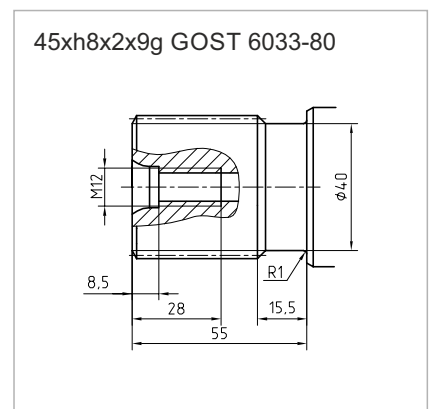
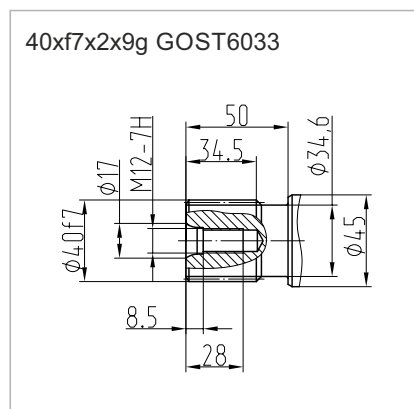
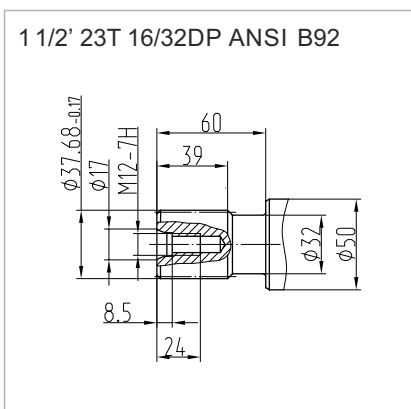
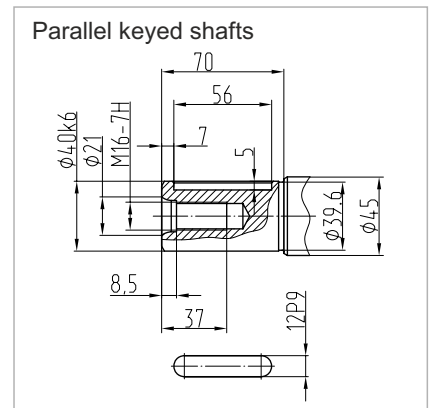
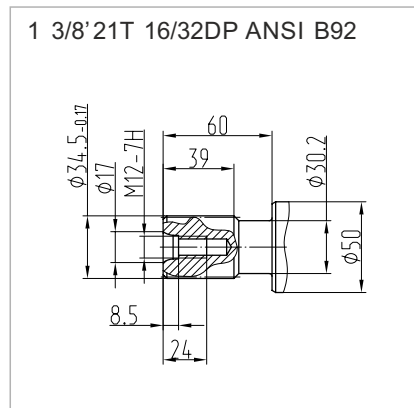
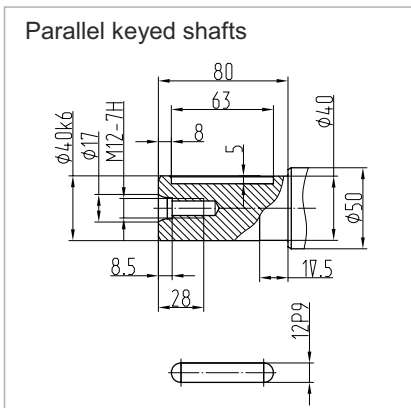
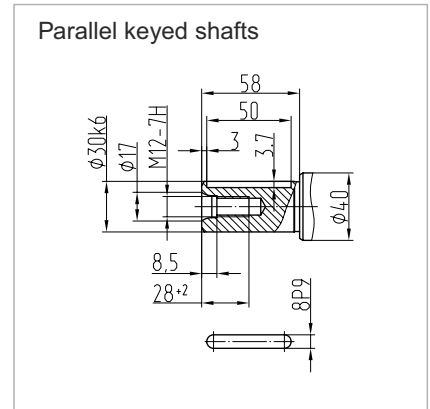
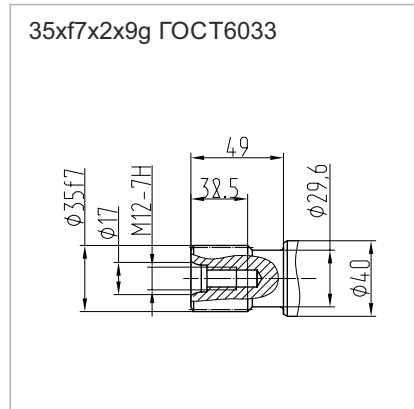
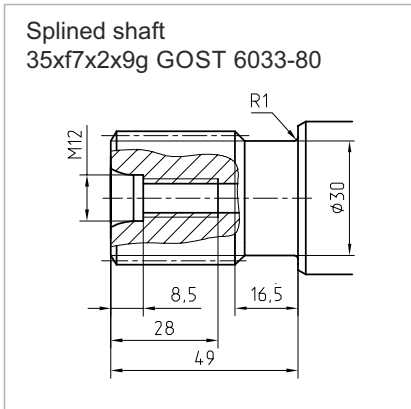


RD2 Rear threaded ports



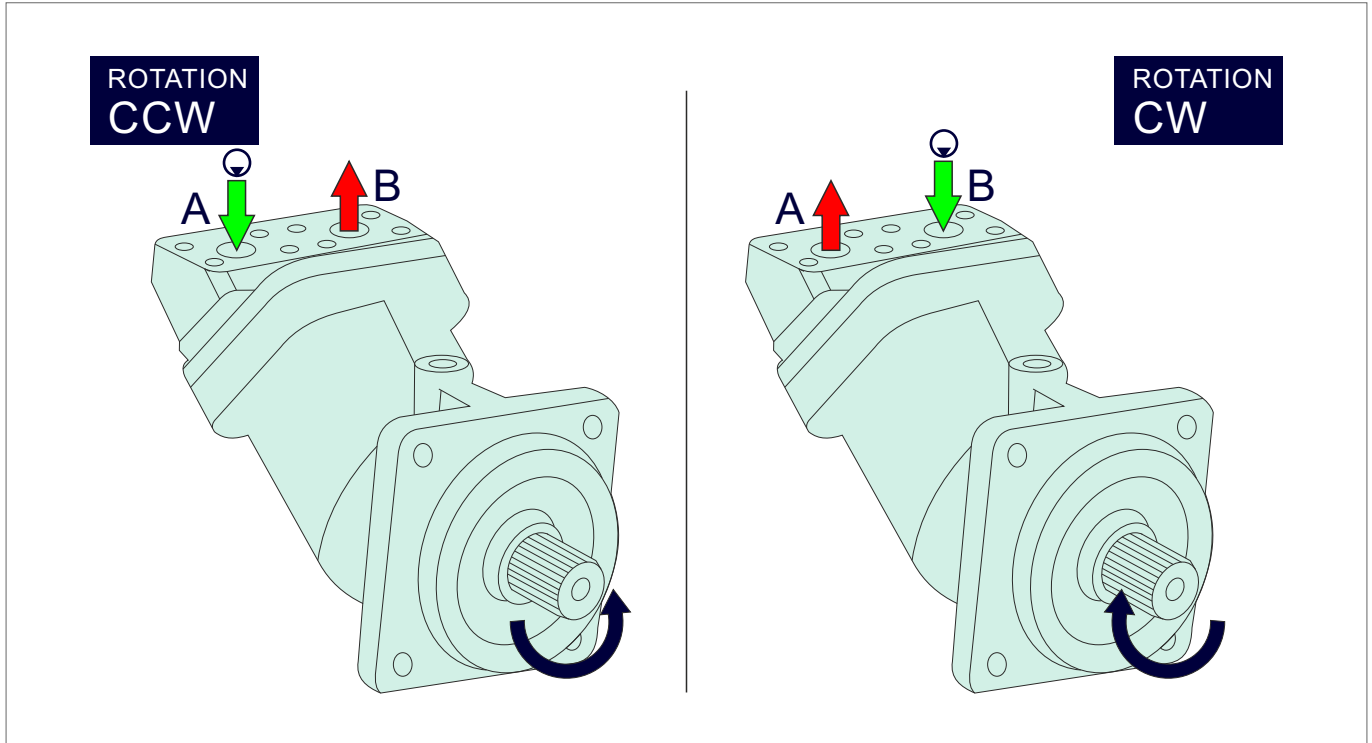
Special Shaft Drive Options for A11 Pumps

For the Special applications, we produce Special Shaft Drive for the A11 Pumps.
Details are listed in below.



Direction of Rotation; Reversible

The Pumps rotate clockwise or counter-clockwise depending on the direction of hydraulic flow entering the Pump.



| Formulas | | | |
|-----------------------------------|------|---|--|
| Pump Output Flow | GPM | $GPM = (\text{Speed (rpm)} \times \text{disp. (cu. in.)}) / 231$ | $GPM = (n \times d) / 231$ |
| Pump Input Horsepower | HP | $HP = GPM \times \text{Pressure (psi)} / 1714 \times \text{Efficiency}$ | $HP = (Q \times P) / 1714 \times E$ |
| Pump Efficiency | E | Overall Efficiency = Output HP / Input HP | $E_{\text{Overall}} = \text{HP}_{\text{Out}} / \text{HP}_{\text{In}} \times 100$ |
| | | Overall Efficiency = Volumetric Eff. \times Mechanical Eff. | $E_{\text{Overall}} = \text{EffVol.} \times \text{EffMech.}$ |
| Pump Volumetric Efficiency | E | Volumetric Efficiency = Actual Flow Rate Output (GPM) / Theoretical Flow Rate Output (GPM) \times 100 | $\text{EffVol.} = \text{Q}_{\text{Act.}} / \text{Q}_{\text{Theo.}} \times 100$ |
| Pump Mechanical Efficiency | E | Mechanical Efficiency = Theoretical Torque to Drive / Actual Torque to Drive \times 100 | $\text{EffMech} = \text{T}_{\text{Theo.}} / \text{T}_{\text{Act.}} \times 100$ |
| Pump Displacement | CIPR | $\text{Dsplcmnt (In.}^3 \text{ / rev.)} = \text{Flow Rate (GPM)} \times 231 / \text{Pump RPM}$ | $\text{CIPR} = \text{GPM} \times 231 / \text{RPM}$ |
| Pump Torque | T | Torque = Horsepower \times 63025 / RPM | $T = 63025 \times \text{HP} / \text{RPM}$ |
| | | Torque = Pressure (PSIG) \times Pump Displacement (CIPR) / 2 π | $T = P \times \text{CIPR} / 6.28$ |

Horsepower for driving a pump : For every 1 hp of drive, the equivalent of 1 gpm @ 1500 psi can be produced.

Horsepower for idling a pump : To idle a pump when it is unloaded will require about 5% of it's full rated power

Wattage for heating hydraulic oil : Each watt will raise the temperature of 1 gallon of oil by 1° F. per hour.

Flow velocity in hydraulic lines : Pump suction lines 2 to 4 feet per second, pressure lines up to 500 psi - 10 to 15 ft./sec., pressure lines 500 to 3000 psi - 15 / 20 ft./sec.; all oil lines in air-over-oil systems; 4 ft./sec.

Installation & Assemble Informations for Bent Axis Pumps

POSITION

ISO2 Flange Bent Axis Pumps can be operate any position.

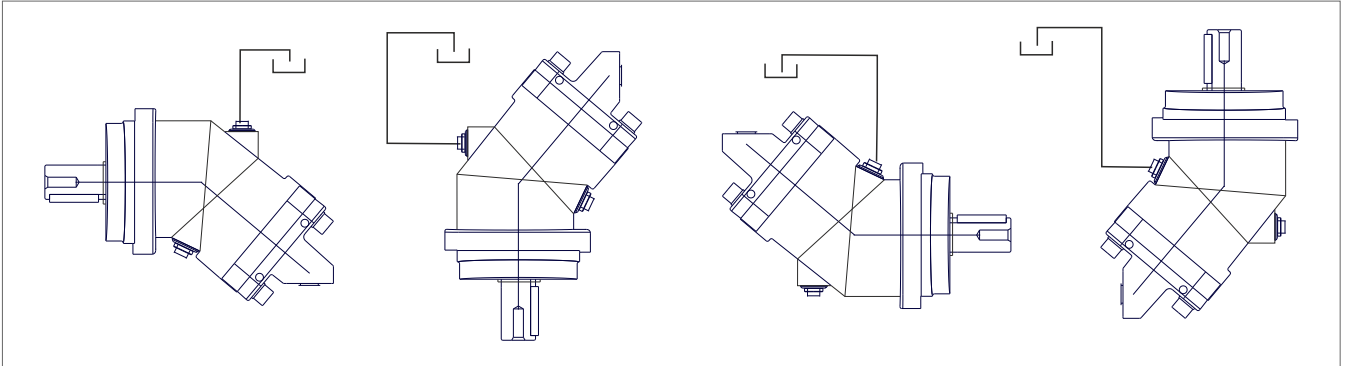
DIRECTION OF ROTATION

ISO2 Flange Bent Axis Pumps can be operate in both directions of rotation.

Before of Installation operation, the Pump must be filled with hydraulic fluid and air bled.

INSTALLATION POSITION

See following examples.

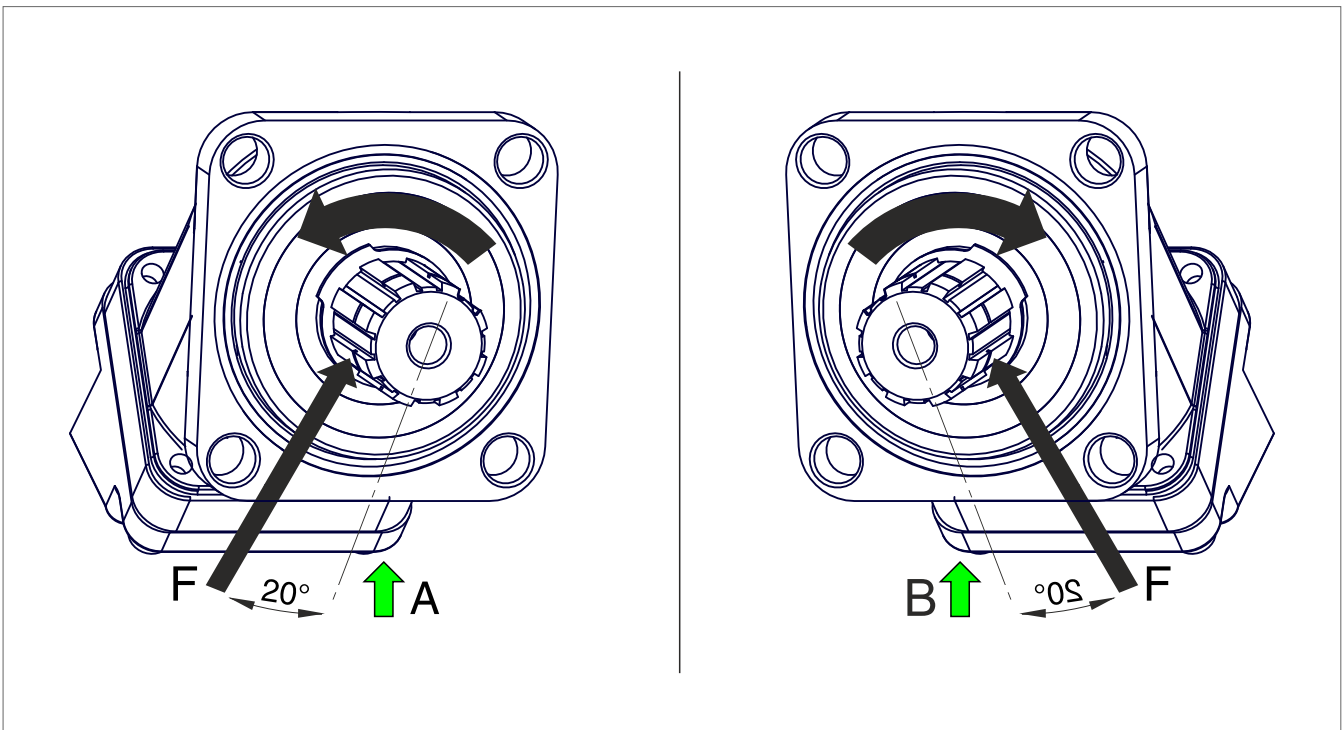


HYDRAULIC FLUID

Recommended ;

Generally : between 15 and 200 cSt.

Maximum : between 5 and 1600 cSt.



FOR USE;

Available via e-mail on request or each Pump is supplied via Starting datasheet.

Formulas, Calculations, Installation Guide

Quick Calculation

Flow rate

$$Q = \frac{V_s \cdot n}{1000 \eta_v} \text{ (lpm)}$$

Torque

$$M = \frac{V_s \cdot \Delta p \cdot \eta_{mh}}{63} \text{ (Nm)}$$

Power

$$P = \frac{2\pi \cdot M \cdot n}{60000} = \frac{M \cdot n}{9549} = \frac{Q \cdot \Delta p \cdot \eta_t}{600} \text{ (kw)}$$

Speed

$$n = \frac{1000 \cdot Q \cdot \eta_v}{V_s} \text{ (lpm)}$$

- V_s = Displacement (ccm/rev.)
- Δp = Diff. pressure (bar)
- n = Speed (rpm)
- Q = Flow (lpm)
- η_v = Volumetric efficiency
- η_{mh} = Mechanical-hydraulic efficiency
- η_t = Total efficiency ($\eta_t = \eta_v \times \eta_{mh}$)

New frame sizes to meet market requirements.

Optional by-pass valve.

For use in mobile & industrial and stationary applications areas.

The pump drive shaft bearings are designed to give the service life expected in these areas of operation. Interchangeable with other bent axis pumps & Pumps

40° bent axis design giving high power, small overall dimensions, optimum efficiency and economic design. Flange and shaft designed for direct mounting on truck gearbox PTO's. The fixed displacement bent axis pumps generates a hydraulic fluid flow. It is designed for use in trucks, commercial vehicles and all stationary hydraulic applications. The pump is a fixed pump with rotary group in bent-axis design open circuits. Flow is proportional to drive speed and displacement.

For axial piston units with bent-axis design, the Pistons are arranged diagonally with respect to the drive shaft. The pump motor covers the whole displacement range 5 to 130 cm³/rev. The pump has been developed with modern styling and design to satisfy market demand as to designed new generation plate and pistons with give high flow performance, high pressures with high efficiency and very small dimensions.

The pump is available both to DIN and SAE world standards and can be mounted either directly at the gear box or via a drive shaft. If necessary it can also be augmented with a by-pass valve.

Other brand bent axis pumps compatible and interchangeable with bent axis pumps motors. Refer to the data sheet and order confirmation for the technical data, operating conditions and operating limits of the bent axis piston pumps.

Complete Product Range

Bent Axis Piston Motors

- A9MD** (DIN) Bent Axis Motors
- A9MO** (ISO) Bent Axis Motors
- A9MS** (SAE) Bent Axis Motors
- A9ML** (SAE2) Bent Axis Motors
- A9MF** (Fixed Plugin) Bent Axis Motors
- A10M** (HYBRID) Bent Axis Motors
- A7GM** Hydraulic Gear Motors
- A7GMT** Tandem Hydraulic Gear Motors

Bent Axis Piston Pumps

- A8PA** (Aluminum) Bent Axis Pumps
- A8PD** (DIN) Bent Axis Pumps
- A8PO** (ISO) Bent Axis Pumps
- A8PS** (SAE) Bent Axis Pumps
- A8PF** (Fixed Plugin) Bent Axis Pumps
- A10** (HYBRID) Bent Axis Pumps
- A11** (ISO2) Bent Axis Pumps
- A11** (SAE2) Bent Axis Pumps

Variable Displacement Pumps

- A12V** Variable Displacement Piston Pumps

Dual Flow Piston Pumps

- A8PL** (DIN) Dual Flow Pumps

Axial Piston & Gear Pumps

- A4PP** Axial Hydraulic Piston Pumps
- A6HP** High Pressure Piston Pumps
- A7GP** Hydraulic Gear Pumps
- A7GPT** Tandem Hydraulic Gear Pumps

Valve (ByPass) (Flushing) (Cavitation)

- Circulation Valve
- ByPass Valve
- Anti-Cavitation Valve
- Flushing Valve
- LS Valve
- AntiShock Valve
- Speed Sensor

Hydraulic Spare Parts

- Suction Fittings
- Couplers
- Adapters
- Flanges
- Power Take Off
- Monoblock Valve
- Section Valve

Hydraulic Pumps, Motors

Bent Axis Hydraulic Piston Motors, Bent Axis Hydraulic Piston Pumps, Piston Pumps, Variable Displacement Piston Pumps, Variable Displacement Piston Motors, Axial Piston Pumps, High Pressure Piston Pumps, Gear Pumps, Gear Motors, Hydraulic Valve.

www.goldhydraulics.com

Address;

HYDROGOLD HİDROLİK PNM. MAK. SAN. TİC. LTD. ŞTİ.

Address; (Fabrika, İmalat)

Fevzicakmak Mah. Sıla Cad. Kobisan 3 San. Sit.

No: 73 / C Karatay – Konya, PO Code; 42050, Türkiye

Address; (Montaj, Sevkiyat)

Fevzicakmak Mah. Sıla Cad. Kobisan 3 San. Sit.

No: 71 / AD Karatay – Konya, PO Code; 42050, Türkiye

Phone; +90 551 148 26 88

mail@goldhydraulics.com