

A7GPT Tandem Hydraulic Gear Pump

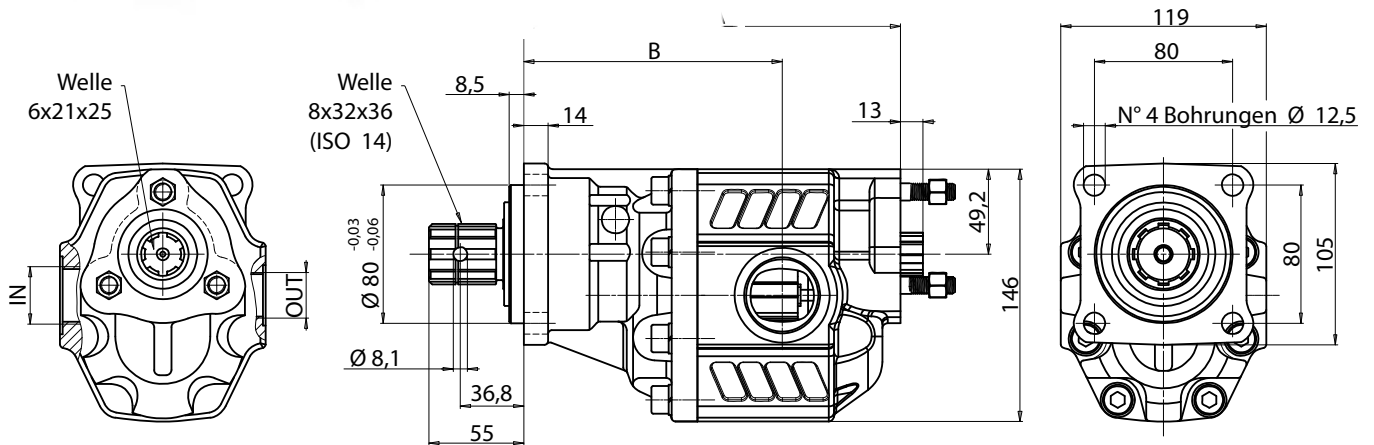
Tandem Hydraulic Gear Pumps, Single Flow, High Pressure.
High Rotational Speed, High Efficiency, Slim Design.
Cast Iron Pump Body, Re-Designed in 2025.

Designation;

17cc, 22cc, 25cc, 40cc, 45cc, 50cc,
63cc, 75cc, 80cc, 100cc, 110cc, 120cc, 130cc



www.goldhydraulics.com

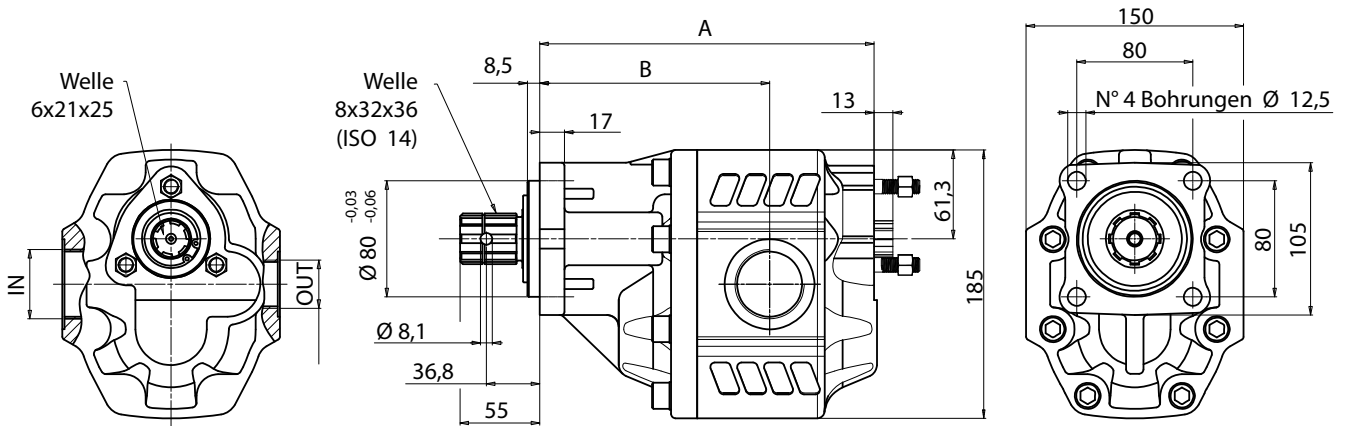


Displacement	Ordering Code		Technical Information					Dimensions					Weight in KG
	Bi-Directional Pump Version	Bi-Directional Motor Version	P1 in bar	P2 in bar	P3 in bar	Maximum Speed	Maximum Intermitt. Peak Speed	min. Pressure	Suction Outlet 1	Suction Outlet 2	Pressure Conn. 1	Pressure Conn. 2	
17,04	A7GPT	035-959-01050	290	315	325	2500	3000	300	1/2"	1/2"	180	119	10,6
22,15	A7GPT	035-959-01150	290	315	325	2500	3000	300	1/2"	1/2"	183,5	121,5	11
26,18	A7GPT	035-959-01250	290	315	325	2500	3000	300	1/2"	1/2"	186	124	11,5
33,88	A7GPT	035-959-01350	280	300	310	2200	2800	300	3/4"	3/4"	191	124	12,5
43,12	A7GPT	035-959-01450	270	290	300	2000	2500	300	3/4"	3/4"	197	130	13
50,82	A7GPT	035-959-01550	240	260	280	2000	2500	300	3/4"	3/4"	202	130,5	13,5
60,06	A7GPT	035-959-01650	220	240	250	1800	2000	300	1"	1"	208	136,5	14
72,88	A7GPT	035-959-01750	200	220	230	1600	1800	300	1"	1"	216	135,5	14,5
81,08	A7GPT	035-959-01850	190	210	220	1500	1800	300	1-1/4"	1-1/4"	221	142,5	14,9

P1 = max. Pressure (100%)

P2 = max. Intermittent pressure (max. 20 Sec.)

P3 = Peak Pressure (max. 6 Sec.)

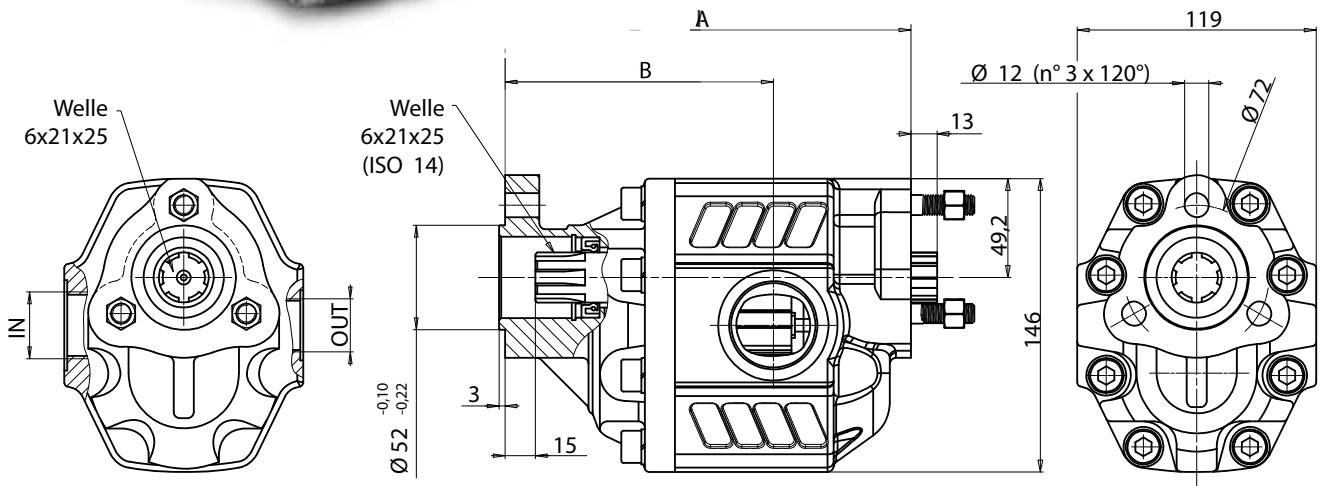


Displacement	Ordering Code		Technical Information						Dimensions					
	Bi-Directional Pump Version	Bi-Directional Motor Version	P1 in bar	P2 in bar	P3 in bar	Maximum Speed	Maximum Intermitt. Peak Speed	min. Pressure	Suction Outlet 1	Suction Outlet 2	Pressure Conn. 1	Pressure Conn. 2	A in mm	B in mm
63,7	A7GPT	035-969-01050	290	315	325	1800	2700	300	1"	3/4"	199,5	136,5	20,1	
74,87	A7GPT	035-969-01150	280	300	315	1800	2700	300	1"	3/4"	203,5	140,5	20,7	
85,96	A7GPT	035-969-01250	260	280	290	1800	2700	300	1-1/4"	1"	207,5	141	20,9	
102,6	A7GPT	035-969-01350	250	270	280	1800	2700	300	1-1/4"	1"	213,5	144,5	21,5	
119,24	A7GPT	035-969-01450	240	260	270	1500	2700	300	1-1/4"	1"	219,5	150,5	22	
135,88	A7GPT	035-969-01550	220	250	260	1500	2500	300	1-1/2"	1"	225,5	153,5	22,8	
149,75	A7GPT	035-969-01650	180	210	220	1500	2500	300	1-1/2"	1"	230,5	158,8	24,1	

P1 = max. Pressure (100%)

P2 = max. Intermittent pressure (max. 20 Sec.)

P3 = Peak Pressure (max. 6 Sec.)

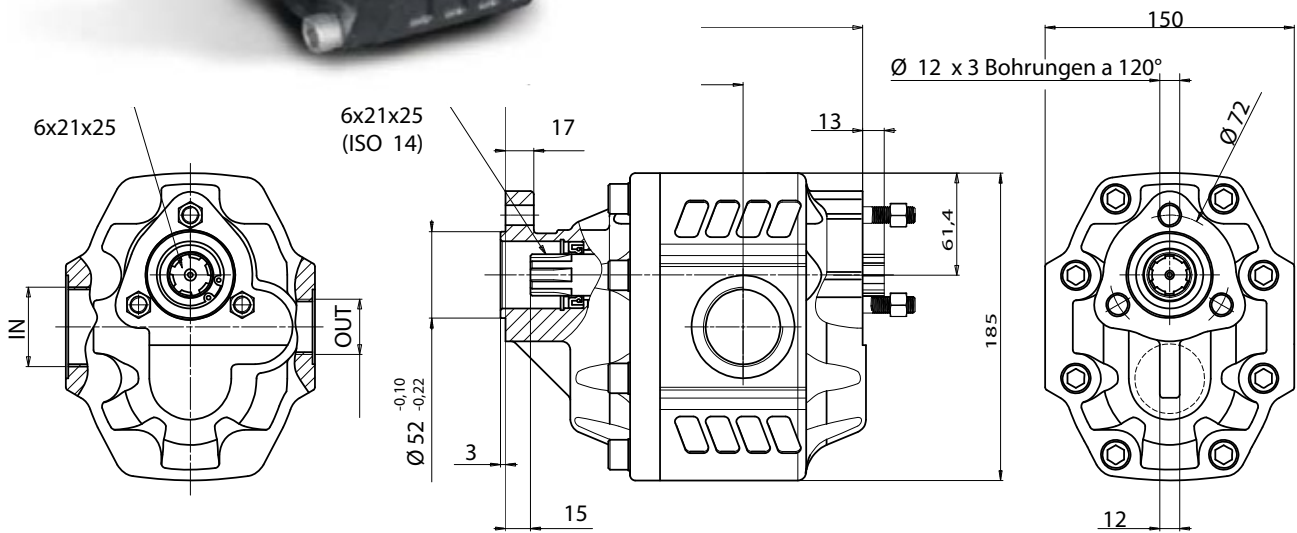
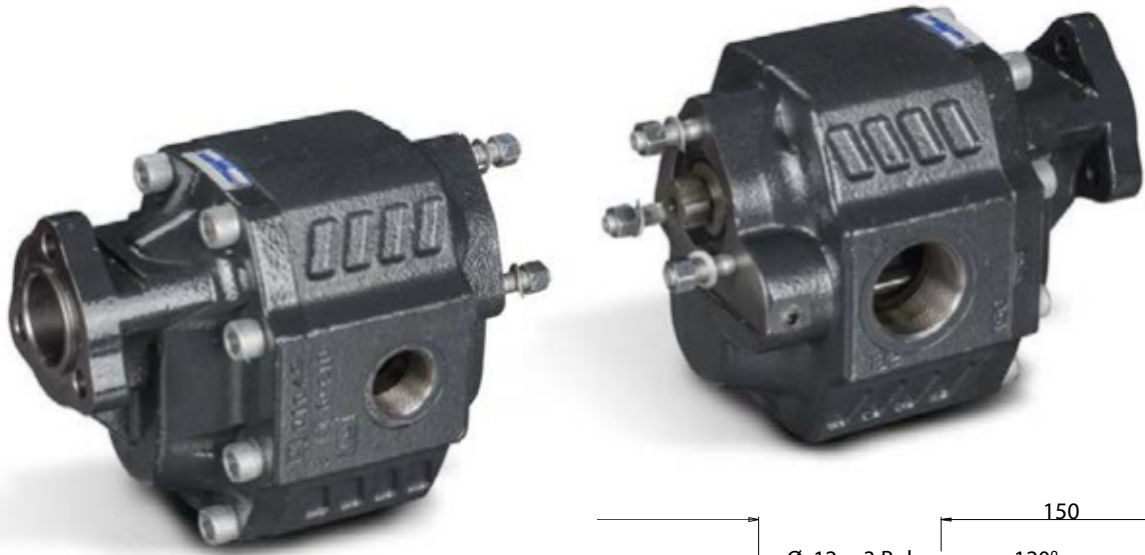


Displacement	Ordering Code		Technical Information						Dimensions					
	Bi-Directional Pump Version	Bi-Directional Motor Version	P1 in bar	P2 in bar	P3 in bar	Maximum Speed	Maximum Intermitt. Peak Speed	min. Pressure	Suction Outlet 1	Suction Outlet 2	Pressure Conn. 1	Pressure Conn. 2	A in mm	B in mm
17,04	A7GPT	035-979-01050	290	315	325	2500	3000	300	300	1/2"	1/2"	164	103	9,6
22,15	A7GPT	035-979-01150	290	315	325	2500	3000	300	300	1/2"	1/2"	167,5	105,5	9,8
26,18	A7GPT	035-979-01250	290	315	325	2500	3000	300	300	1/2"	1/2"	170	108	10,1
33,88	A7GPT	035-979-01350	280	300	310	2200	2800	300	300	3/4"	3/4"	175	108	10,5
43,12	A7GPT	035-979-01450	270	290	300	2000	2500	300	300	3/4"	3/4"	181	114	11,02
50,82	A7GPT	035-979-01550	240	260	280	2000	2500	300	300	3/4"	3/4"	186	114,5	11,3
60,06	A7GPT	035-979-01650	220	240	250	1800	2000	300	300	1"	1"	192	120,5	11,8
72,88	A7GPT	035-979-01750	200	220	230	1600	1800	300	300	1"	1"	200	119,5	12,4
81,08	A7GPT	035-979-01850	190	210	220	1500	1800	300	300	1-1/4"	1-1/4"	205	126,5	12,6

P1 = max. Pressure (100%)

P2 = max. Intermittent pressure (max. 20 Sec.)

P3 = Peak Pressure (max. 6 Sec.)

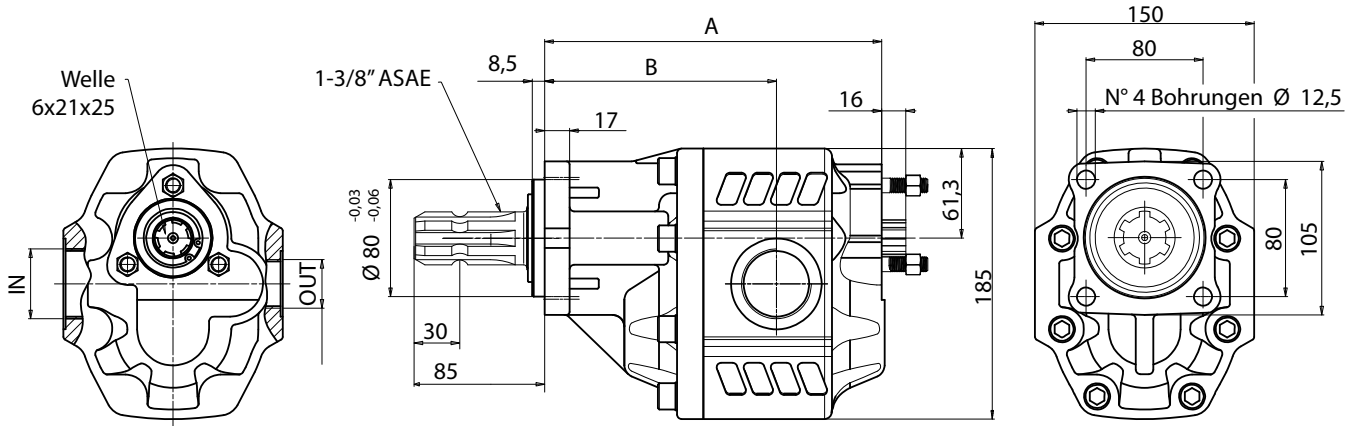


Displacement	Ordering Code		Technical Information						Dimensions					
	Bi-Directional Pump Version	Bi-Directional Motor Version	P1 in bar	P2 in bar	P3 in bar	Maximum Speed	Maximum Intermitt. Peak Speed	min. Pressure	Suction Outlet 1	Suction Outlet 2	Pressure Conn. 1	Pressure Conn. 2	A in mm	B in mm
63,7	A7GPT	035-989-01050	290	315	325	1800	2700	300	1"	3/4"	184	121	17	
74,87	A7GPT	035-989-01150	280	300	315	1800	2700	300	1"	3/4"	188	125	18	
85,96	A7GPT	035-989-01250	260	280	290	1800	2700	300	1-1/4"	1"	192	125,5	18,5	
102,6	A7GPT	035-989-01350	250	270	280	1800	2700	300	1-1/4"	1"	198	129	19	
119,24	A7GPT	035-989-01450	240	260	270	1500	2700	300	1-1/4"	1"	204	135	19,5	
135,88	A7GPT	035-989-01550	220	250	260	1500	2500	300	1-1/2"	1"	210	138	20,5	
149,75	A7GPT	035-989-01650	180	210	220	1500	2500	300	1-1/2"	1"	215	143	21	

P1 = max. Pressure (100%)

P2 = max. Intermittent pressure (max. 20 Sec.)

P3 = Peak Pressure (max. 6 Sec.)



Displacement	Ordering Code		Technical Information						Dimensions					Weight in KG
	Bi-Directional Pump Version	Bi-Directional Motor Version	P1 in bar	P2 in bar	P3 in bar	Maximum Speed	Maximum Intermitt. Peak Speed	min. Pressure	Suction Outlet 1	Suction Outlet 2	Pressure Conn. 1	Pressure Conn. 2	A in mm	
63,7	A7GPT	035-999-01050	290	315	325	1800	2700	2700	300	1"	3/4"	199,5	136,5	
74,87	A7GPT	035-999-01150	280	300	315	1800	2700	2700	300	1"	3/4"	203,5	140,5	
85,96	A7GPT	035-999-01250	260	280	290	1800	2700	2700	300	1-1/4"	1"	207,5	141	
102,6	A7GPT	035-999-01350	250	270	280	1800	2700	2700	300	1-1/4"	1"	213,5	144,5	
119,24	A7GPT	035-999-01450	240	260	270	1500	2700	2700	300	1-1/4"	1"	219,5	150,5	
135,88	A7GPT	035-999-01550	220	250	260	1500	2500	2500	300	1-1/2"	1"	225,5	153,5	
149,75	A7GPT	035-999-01650	180	210	220	1500	2500	2500	300	1-1/2"	1"	230,5	158,5	

P1 = max. Pressure (100%)

P2 = max. Intermittent pressure (max. 20 Sec.)

P3 = Peak Pressure (max. 6 Sec.)

Complete Product Range

Bent Axis Piston Motors

- A9MD** (DIN) Bent Axis Motors
- A9MO** (ISO) Bent Axis Motors
- A9MS** (SAE) Bent Axis Motors
- A9ML** (SAE2) Bent Axis Motors
- A9MF** (Fixed Plugin) Bent Axis Motors
- A10M** (HYBRID) Bent Axis Motors
- A7GM** Hydraulic Gear Motors
- A7GMT** Tandem Hydraulic Gear Motors

Bent Axis Piston Pumps

- A8PA** (Aluminum) Bent Axis Pumps
- A8PD** (DIN) Bent Axis Pumps
- A8PO** (ISO) Bent Axis Pumps
- A8PS** (SAE) Bent Axis Pumps
- A8PF** (Fixed Plugin) Bent Axis Pumps
- A10** (HYBRID) Bent Axis Pumps
- A11** (ISO2) Bent Axis Pumps
- A11** (SAE2) Bent Axis Pumps

Variable Displacement Pumps

- A12V** Variable Displacement Piston Pumps

Dual Flow Piston Pumps

- A8PL** (DIN) Dual Flow Pumps

Axial Piston & Gear Pumps

- A4PP** Axial Hydraulic Piston Pumps
- A6HP** High Pressure Piston Pumps
- A7GP** Hydraulic Gear Pumps
- A7GPT** Tandem Hydraulic Gear Pumps

Valve (ByPass) (Flushing) (Cavitation)

- Circulation Valve
- ByPass Valve
- Anti-Cavitation Valve
- Flushing Valve
- LS Valve
- AntiShock Valve
- Speed Sensor

Hydraulic Spare Parts

- Suction Fittings
- Couplers
- Adapters
- Flanges
- Power Take Off
- Monoblock Valve
- Section Valve

Hydraulic Pumps, Motors

Bent Axis Hydraulic Piston Motors, Bent Axis Hydraulic Piston Pumps, Piston Pumps, Variable Displacement Piston Pumps, Variable Displacement Piston Motors, Axial Piston Pumps, High Pressure Piston Pumps, Gear Pumps, Gear Motors, Hydraulic Valve.

www.goldhydraulics.com

Address;

HYDROGOLD HİDROLİK PNM. MAK. SAN. TİC. LTD. ŞTİ.

Address; (Fabrika, İmalat)

Fevzicakmak Mah. Sıla Cad. Kobisan 3 San. Sit.

No: 73 / C Karatay – Konya, PO Code; 42050, Türkiye

Address; (Montaj, Sevkiyat)

Fevzicakmak Mah. Sıla Cad. Kobisan 3 San. Sit.

No: 71 / AD Karatay – Konya, PO Code; 42050, Türkiye

Phone; +90 551 148 26 88

mail@goldhydraulics.com