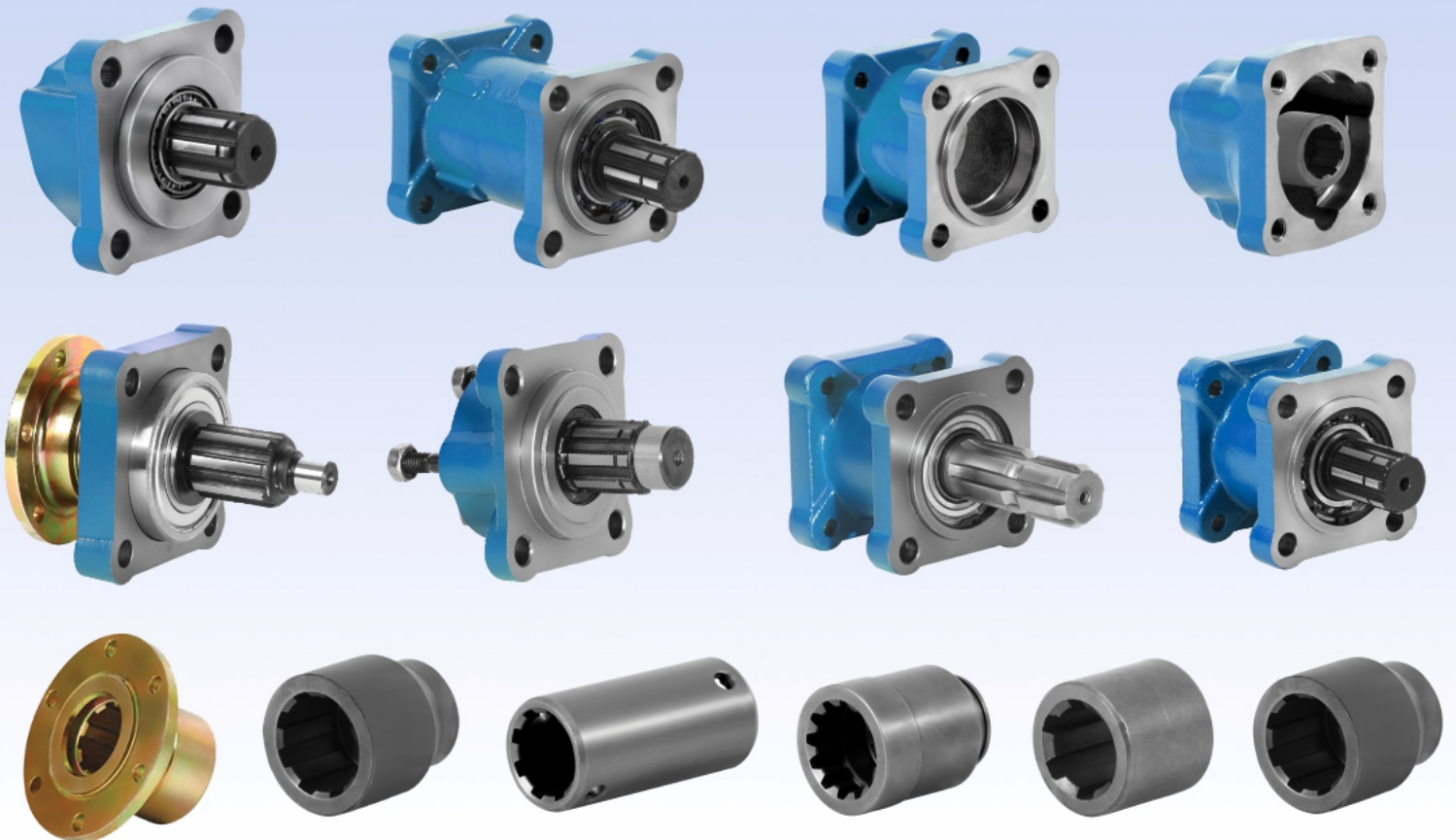


# Adapter Hydraulic Pump Motor Couplers, Adapters, Flange

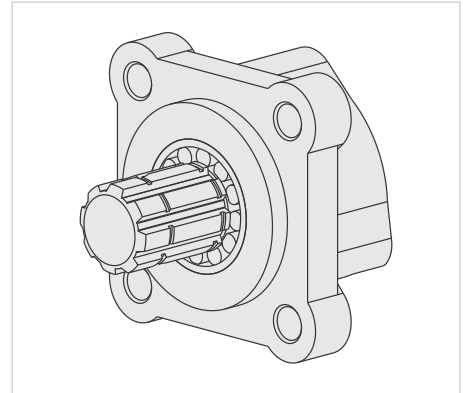
Couplers, Adapters, Flange for Hydraulic Pumps and Hydraulic Motors

**Designation;**  
Couplers, Adapters, Flange

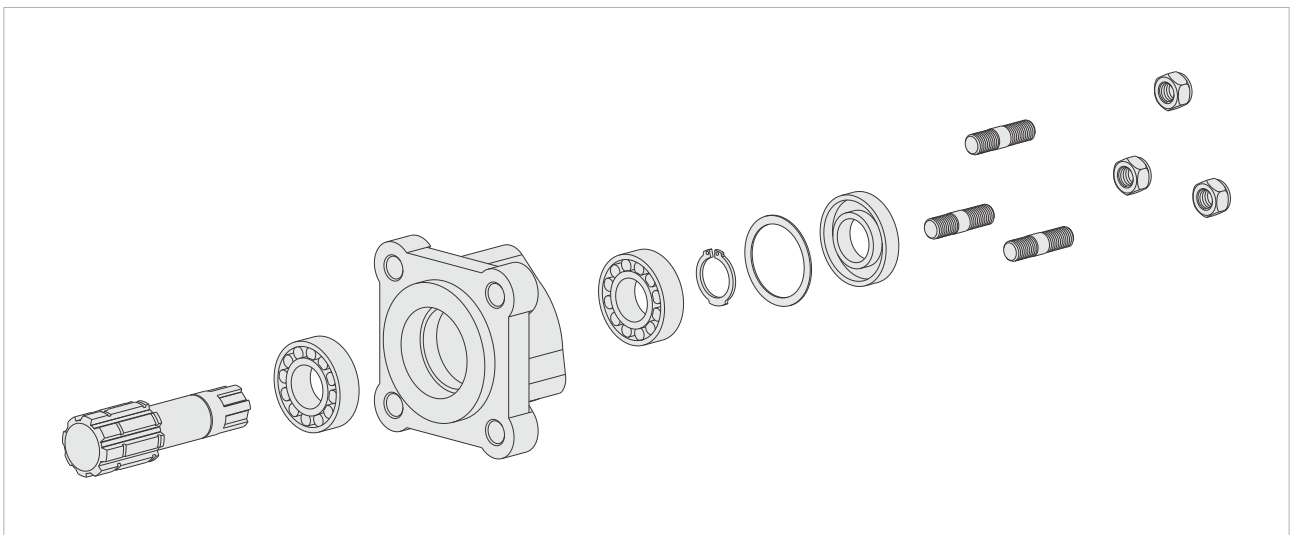
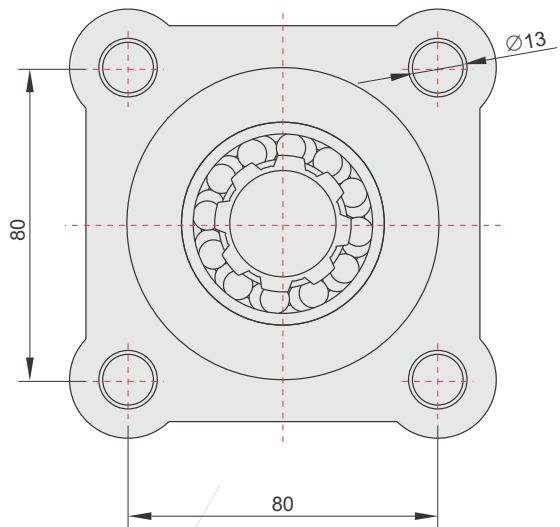
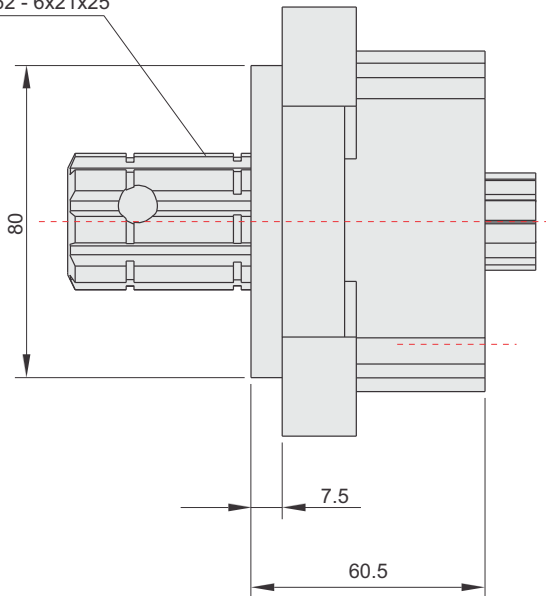


[www.goldhydraulics.com](http://www.goldhydraulics.com)

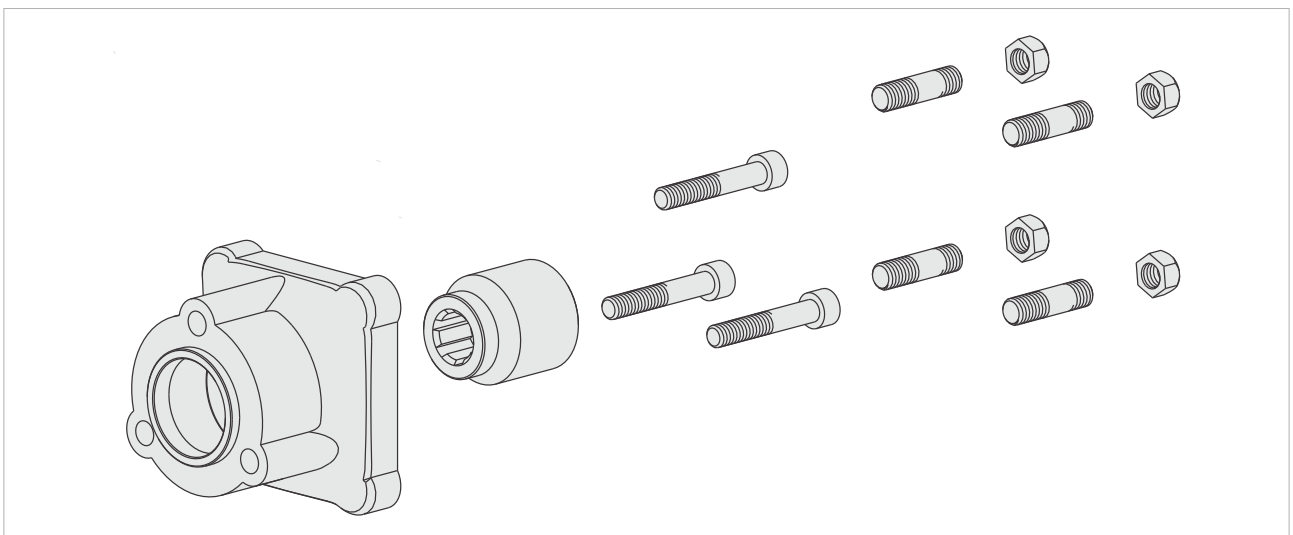
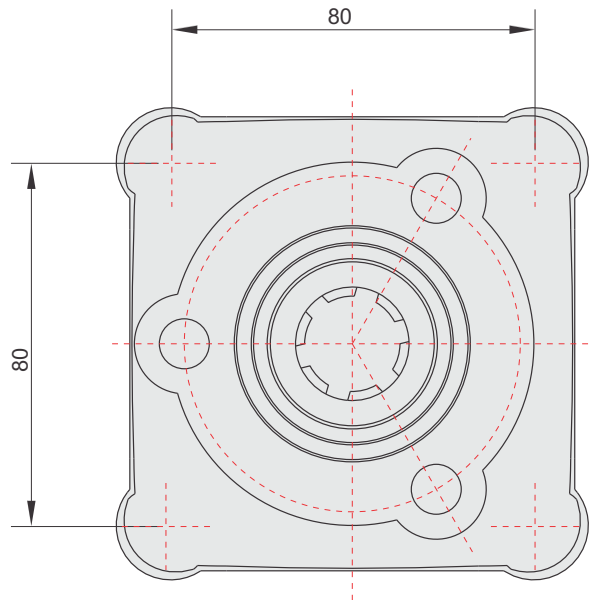
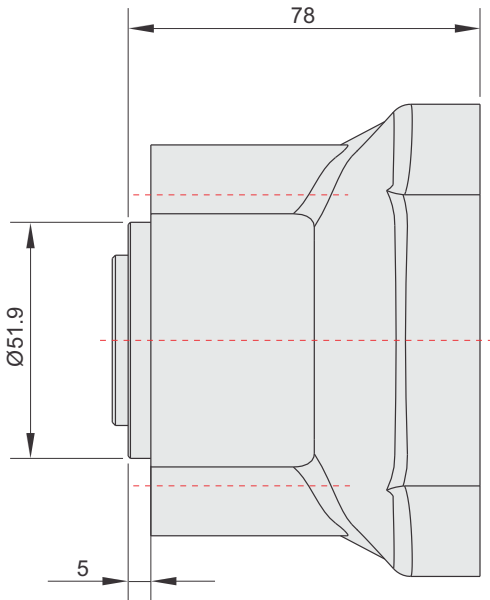
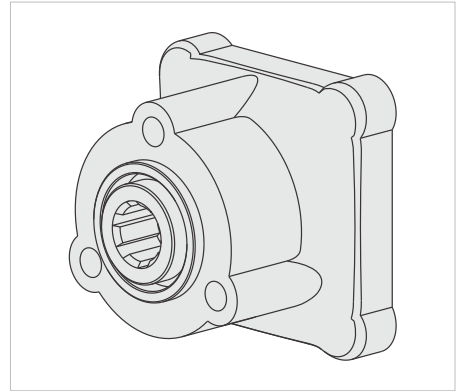
## Couplers, Adapters, Flange



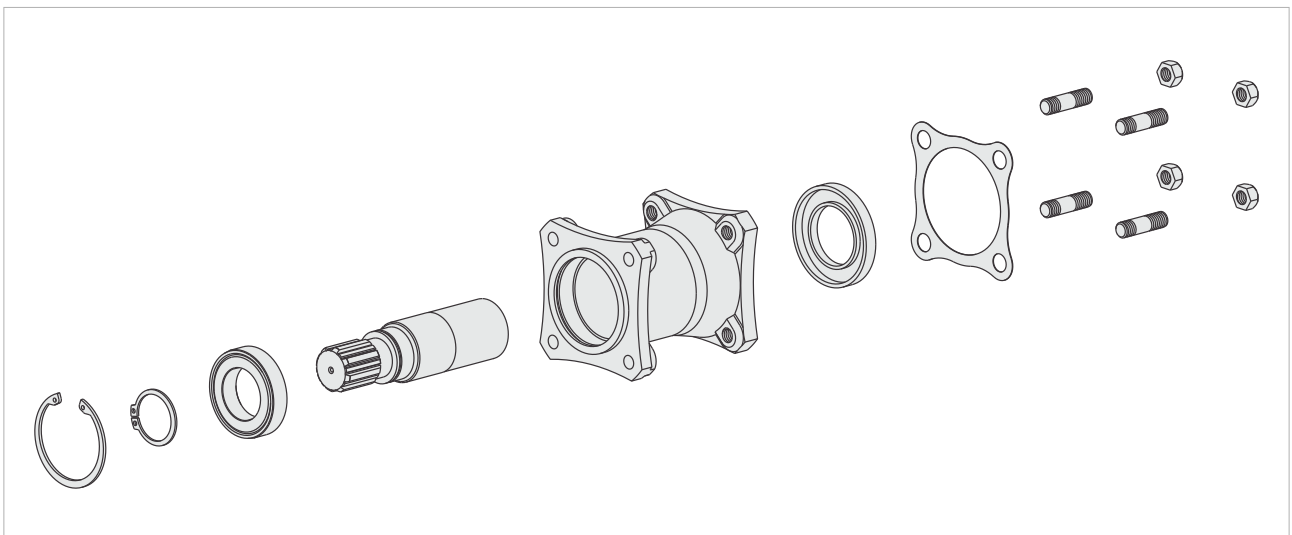
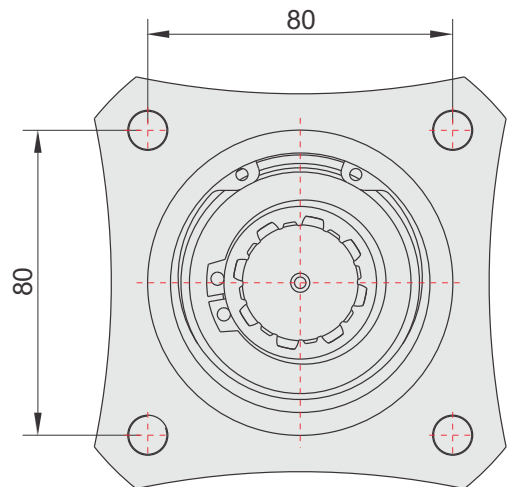
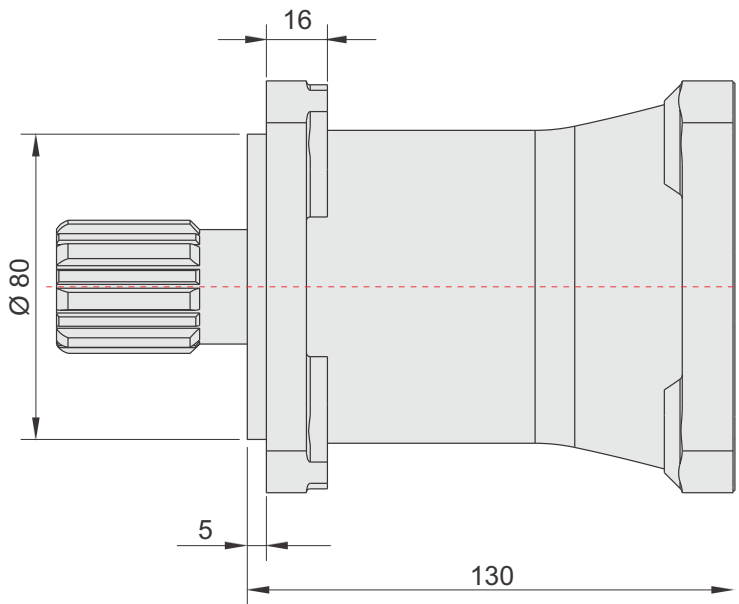
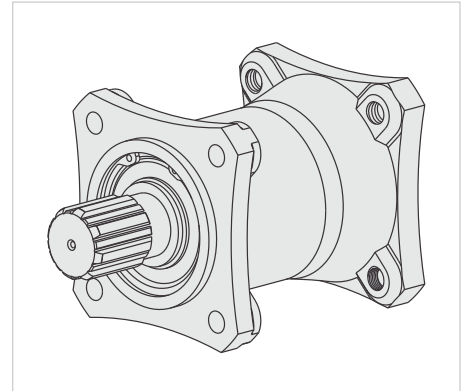
DIN 5462 - 6x21x25



## Couplers, Adapters, Flange

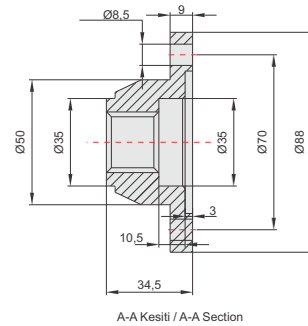
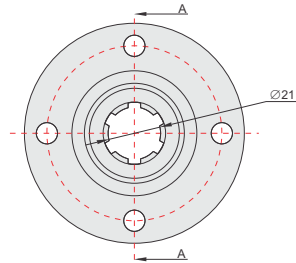
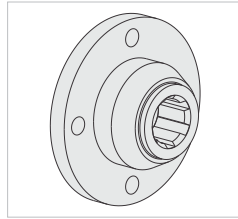


## Couplers, Adapters, Flange

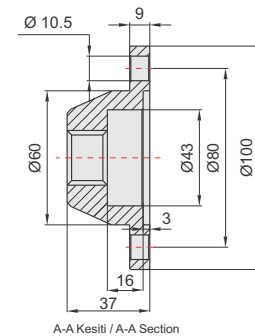
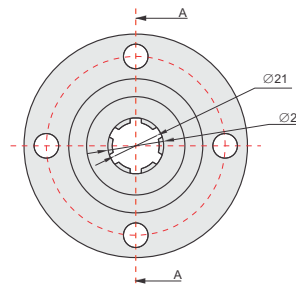
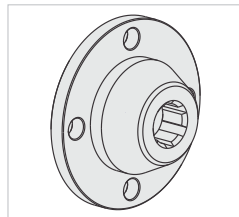


## Couplers, Adapters, Flange

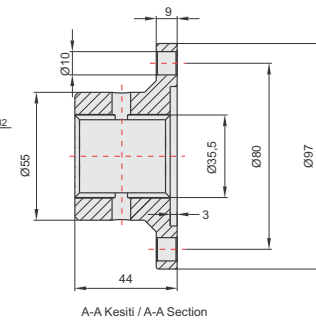
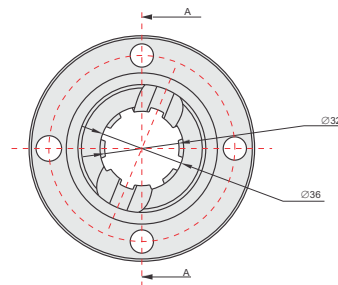
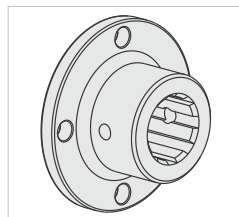
1300 Flange  
6 Spline



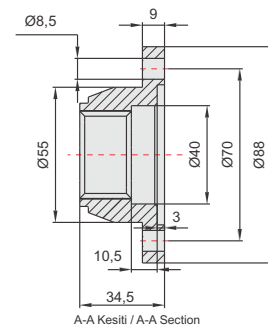
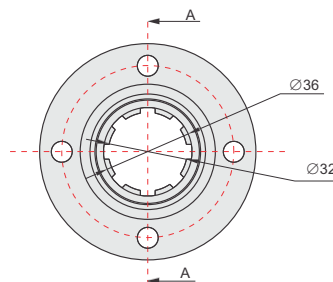
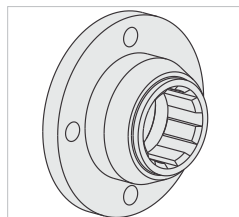
1120 Flange  
6 Spline



1300 Flange  
8 Spline

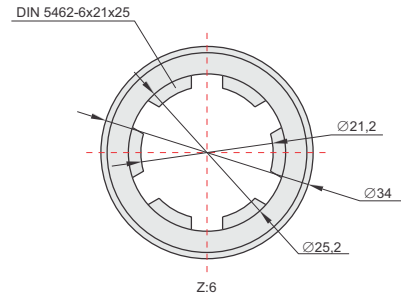
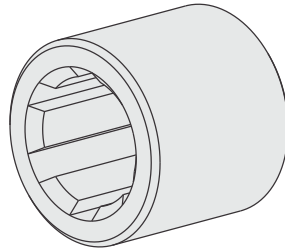


1120 Flange  
8 Spline

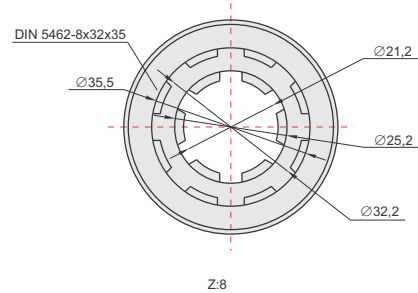
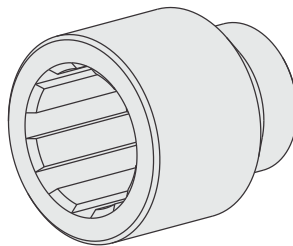


## Couplers, Adapters, Flange

6x6 Couplar



6x8 Couplar



## Complete Product Range

### Bent Axis Piston Motors

- A9MD** (DIN) Bent Axis Motors
- A9MO** (ISO) Bent Axis Motors
- A9MS** (SAE) Bent Axis Motors
- A9ML** (SAE2) Bent Axis Motors
- A9MF** (Fixed Plugin) Bent Axis Motors
- A10M** (HYBRID) Bent Axis Motors
- A7GM** Hydraulic Gear Motors
- A7GMT** Tandem Hydraulic Gear Motors

### Bent Axis Piston Pumps

- A8PA** (Aluminum) Bent Axis Pumps
- A8PD** (DIN) Bent Axis Pumps
- A8PO** (ISO) Bent Axis Pumps
- A8PS** (SAE) Bent Axis Pumps
- A8PF** (Fixed Plugin) Bent Axis Pumps
- A10** (HYBRID) Bent Axis Pumps
- A11** (ISO2) Bent Axis Pumps
- A11** (SAE2) Bent Axis Pumps

### Variable Displacement Pumps

- A12V** Variable Displacement Piston Pumps

### Dual Flow Piston Pumps

- A8PL** (DIN) Dual Flow Pumps

### Axial Piston & Gear Pumps

- A4PP** Axial Hydraulic Piston Pumps
- A6HP** High Pressure Piston Pumps
- A7GP** Hydraulic Gear Pumps
- A7GPT** Tandem Hydraulic Gear Pumps

### Valve (ByPass) (Flushing) (Cavitation)

- Circulation Valve
- ByPass Valve
- Anti-Cavitation Valve
- Flushing Valve
- LS Valve
- AntiShock Valve
- Speed Sensor

### Hydraulic Spare Parts

- Suction Fittings
- Couplers
- Adapters
- Flanges
- Power Take Off
- Monoblock Valve
- Section Valve

## Hydraulic Pumps, Motors

Bent Axis Hydraulic Piston Motors, Bent Axis Hydraulic Piston Pumps, Piston Pumps, Variable Displacement Piston Pumps, Variable Displacement Piston Motors, Axial Piston Pumps, High Pressure Piston Pumps, Gear Pumps, Gear Motors, Hydraulic Valve.

[www.goldhydraulics.com](http://www.goldhydraulics.com)

### Address;

**HYDROGOLD HİDROLİK PNM. MAK. SAN. TİC. LTD. ŞTİ.**

**Address; (Fabrika, İmalat)**

Fevzicakmak Mah. Sıla Cad. Kobisan 3 San. Sit.

No: 73 / C Karatay – Konya, PO Code; 42050, Türkiye

**Address; (Montaj, Sevkiyat)**

Fevzicakmak Mah. Sıla Cad. Kobisan 3 San. Sit.

No: 71 / AD Karatay – Konya, PO Code; 42050, Türkiye

**Phone; +90 551 148 26 88**

[mail@goldhydraulics.com](mailto:mail@goldhydraulics.com)