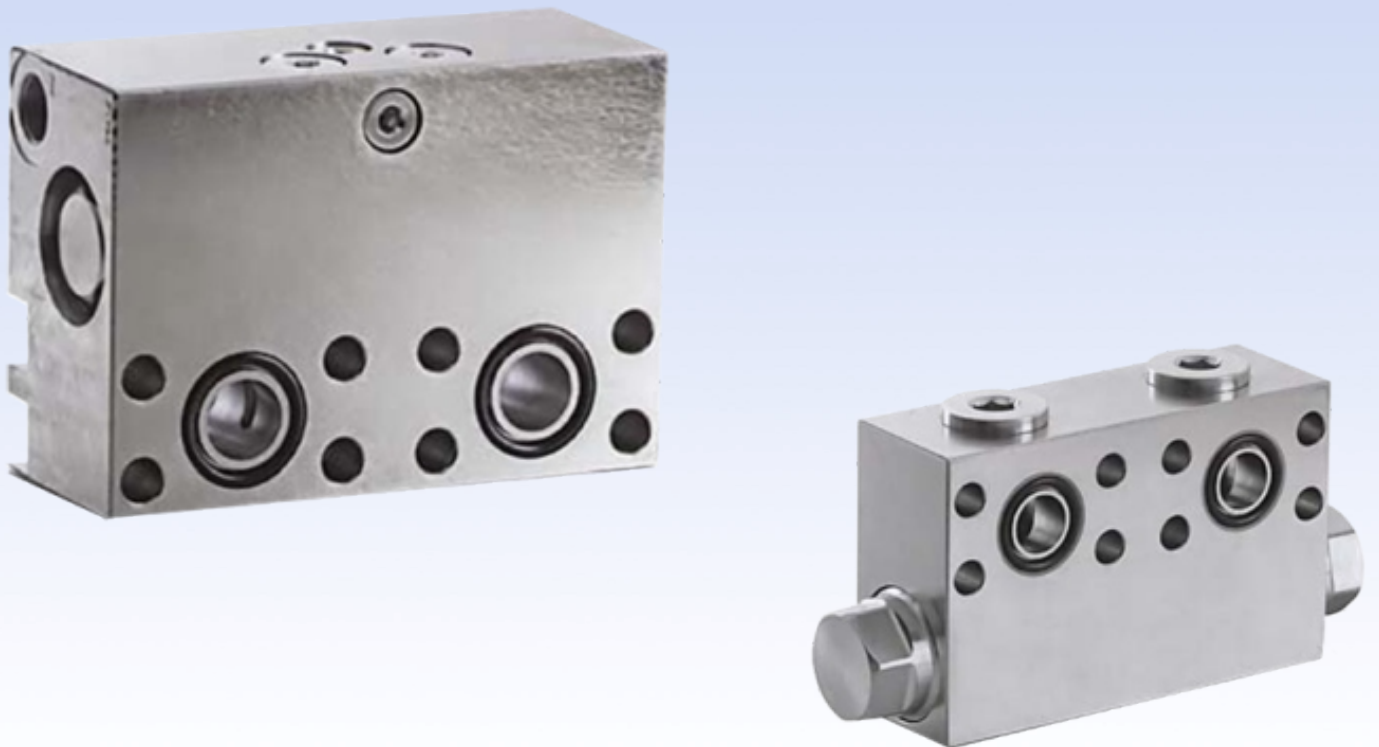


Anti-Cavitation Valve Hydraulic Motor for Bent Axis Motors

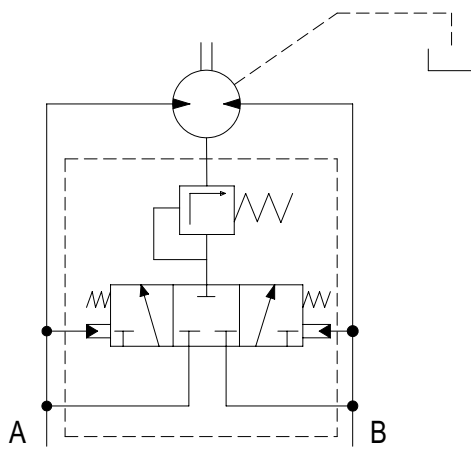
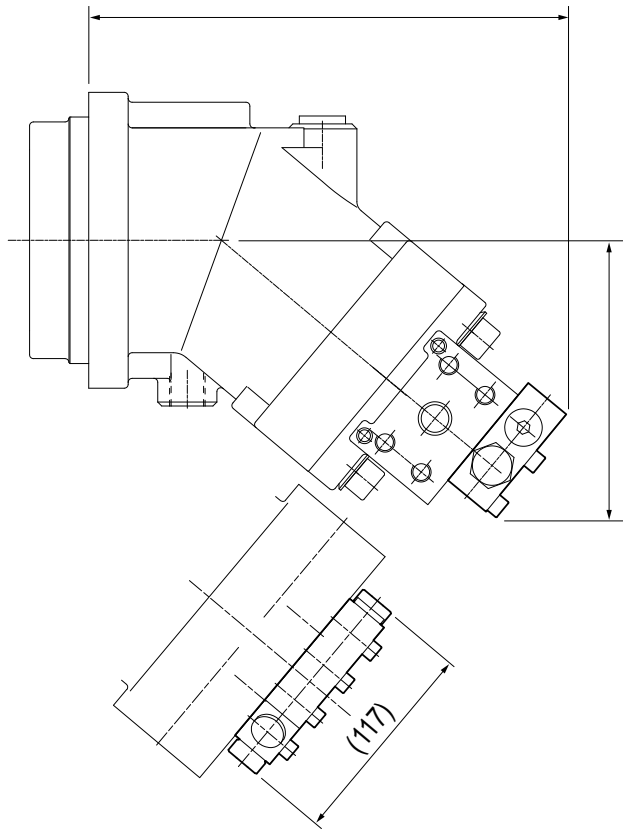
Anti-Cavitation Valve for Hydraulic Bent Axis Piston Motors

Designation;
Anti-Cavitation

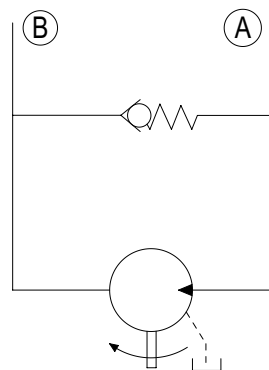


www.goldhydraulics.com

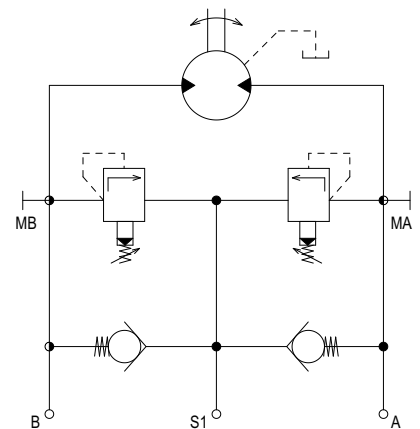
Anti-Cavitation Valve for Bent Axis Motors



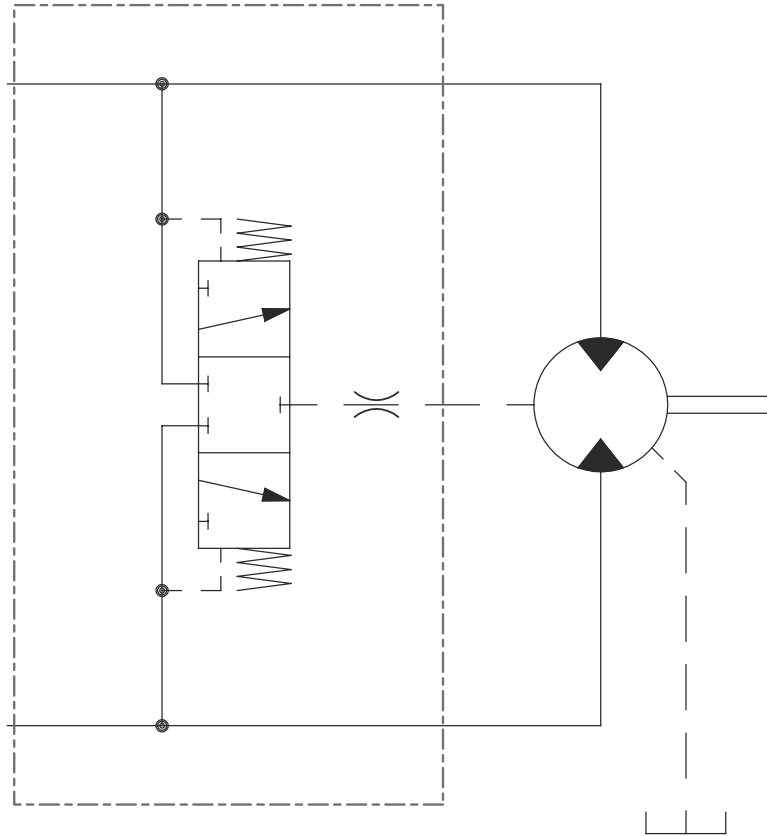
Anti-cavitation valve



Double pressure relief valve



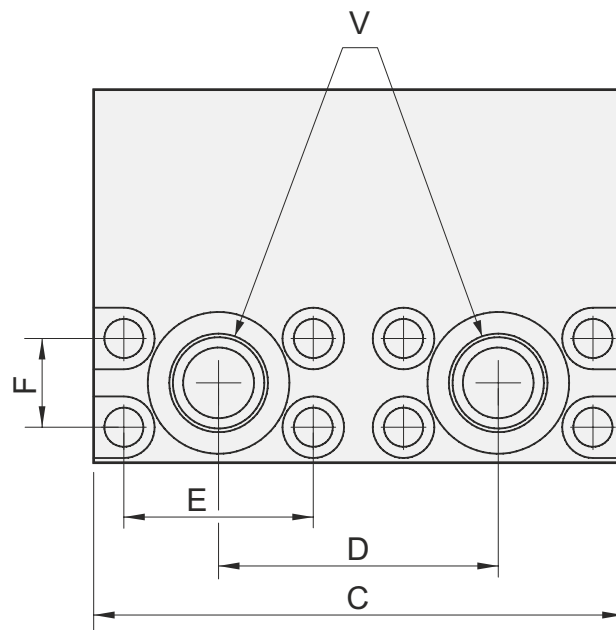
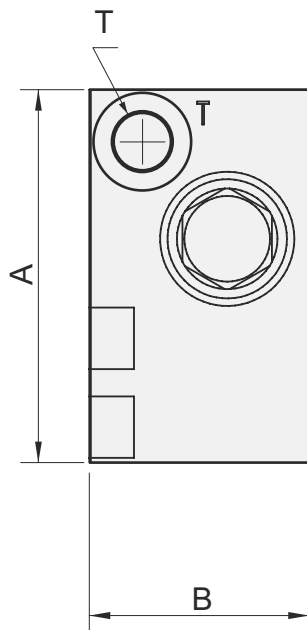
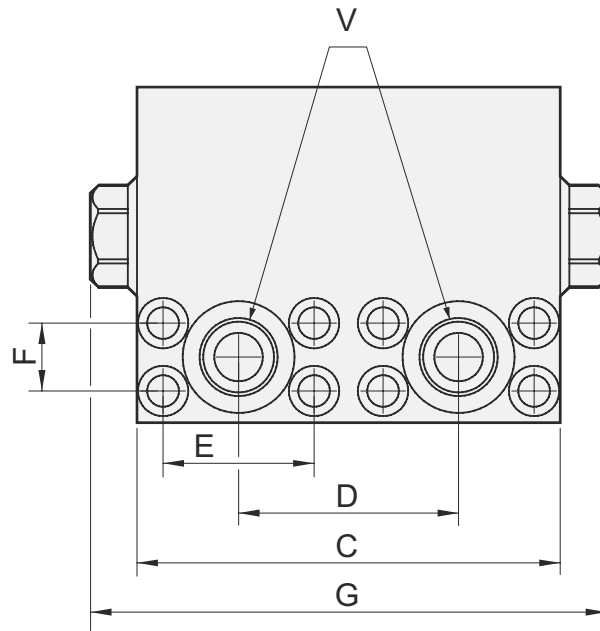
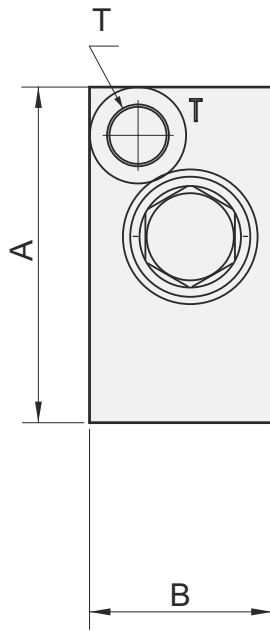
Anti-Cavitation Valve for Bent Axis Motors



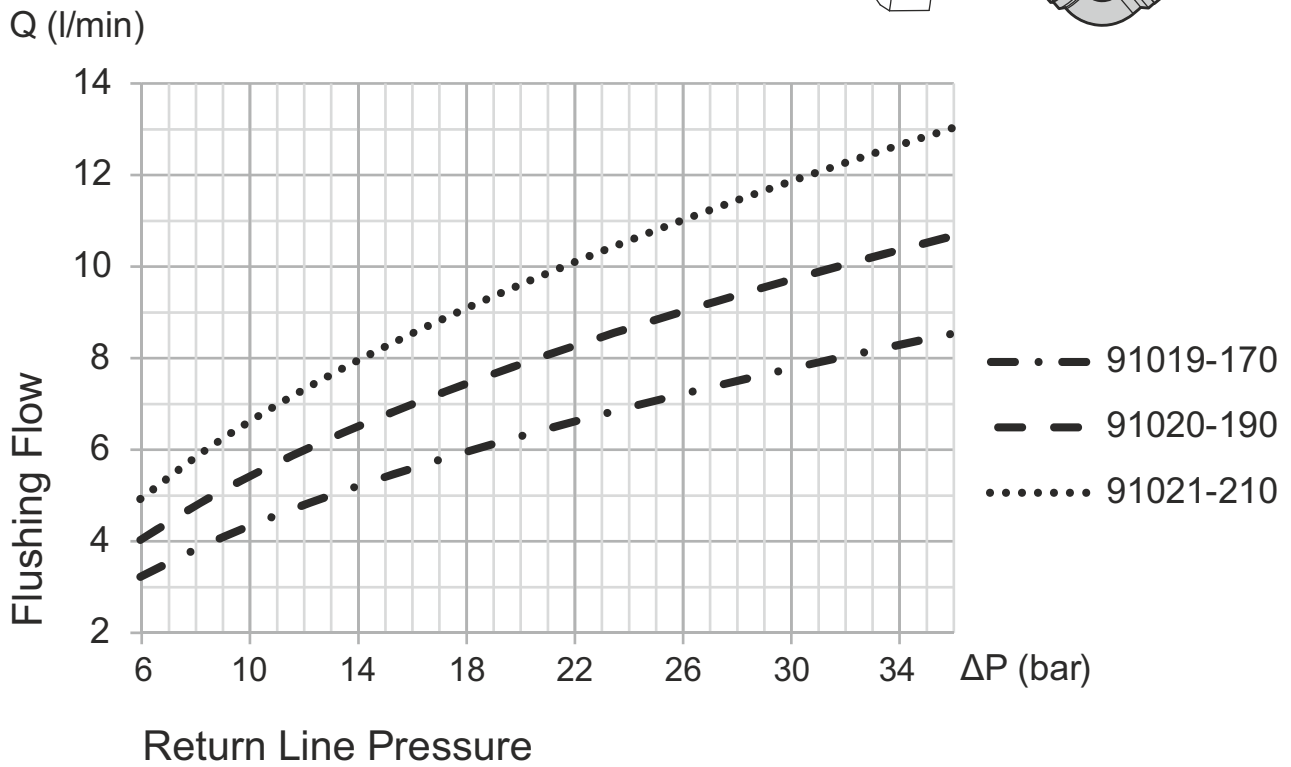
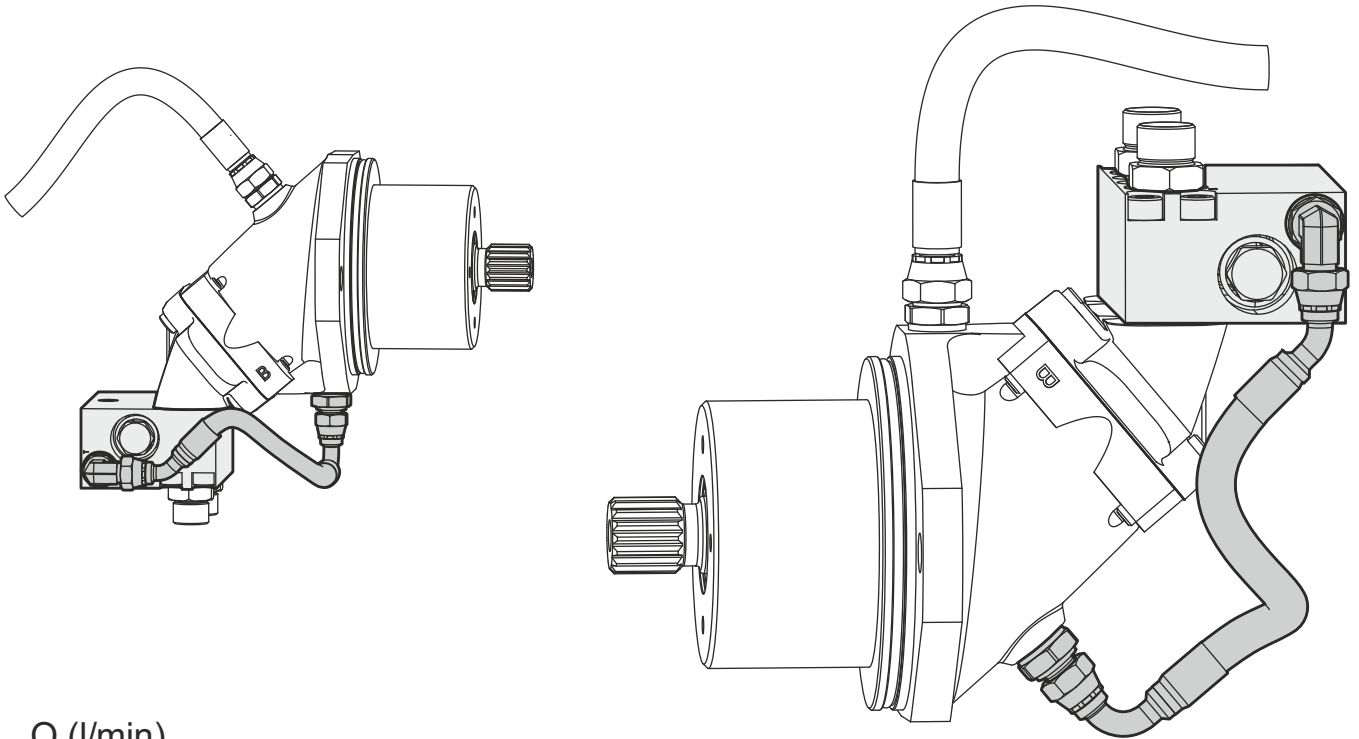
Dimension

Type	A	B	C	D	E	F	G	T	V
012-032	90	49	113.5	59	40.5	18.2	138.4	G 3/8"	G 1/2"
040-063	100	59	142	75	50.8	23.8	—		G 3/4"
080-130	108	59	160	84	57.2	27.8	—		G 1"

Anti-Cavitation Valve for Bent Axis Motors



Anti-Cavitation Valve for Bent Axis Motors



Complete Product Range

Bent Axis Piston Motors

- A9MD** (DIN) Bent Axis Motors
- A9MO** (ISO) Bent Axis Motors
- A9MS** (SAE) Bent Axis Motors
- A9ML** (SAE2) Bent Axis Motors
- A9MF** (Fixed Plugin) Bent Axis Motors
- A10M** (HYBRID) Bent Axis Motors
- A7GM** Hydraulic Gear Motors
- A7GMT** Tandem Hydraulic Gear Motors

Bent Axis Piston Pumps

- A8PA** (Aluminum) Bent Axis Pumps
- A8PD** (DIN) Bent Axis Pumps
- A8PO** (ISO) Bent Axis Pumps
- A8PS** (SAE) Bent Axis Pumps
- A8PF** (Fixed Plugin) Bent Axis Pumps
- A10** (HYBRID) Bent Axis Pumps
- A11** (ISO2) Bent Axis Pumps
- A11** (SAE2) Bent Axis Pumps

Variable Displacement Pumps

- A12V** Variable Displacement Piston Pumps

Dual Flow Piston Pumps

- A8PL** (DIN) Dual Flow Pumps

Axial Piston & Gear Pumps

- A4PP** Axial Hydraulic Piston Pumps
- A6HP** High Pressure Piston Pumps
- A7GP** Hydraulic Gear Pumps
- A7GPT** Tandem Hydraulic Gear Pumps

Valve (ByPass) (Flushing) (Cavitation)

- Circulation Valve
- ByPass Valve
- Anti-Cavitation Valve
- Flushing Valve
- LS Valve
- AntiShock Valve
- Speed Sensor

Hydraulic Spare Parts

- Suction Fittings
- Couplers
- Adapters
- Flanges
- Power Take Off
- Monoblock Valve
- Section Valve

Hydraulic Pumps, Motors

Bent Axis Hydraulic Piston Motors, Bent Axis Hydraulic Piston Pumps, Piston Pumps, Variable Displacement Piston Pumps, Variable Displacement Piston Motors, Axial Piston Pumps, High Pressure Piston Pumps, Gear Pumps, Gear Motors, Hydraulic Valve.

www.goldhydraulics.com

Address;

HYDROGOLD HİDROLİK PNM. MAK. SAN. TİC. LTD. ŞTİ.

Address; (Fabrika, İmalat)

Fevzicakmak Mah. Sıla Cad. Kobisan 3 San. Sit.

No: 73 / C Karatay – Konya, PO Code; 42050, Türkiye

Address; (Montaj, Sevkiyat)

Fevzicakmak Mah. Sıla Cad. Kobisan 3 San. Sit.

No: 71 / AD Karatay – Konya, PO Code; 42050, Türkiye

Phone; +90 551 148 26 88

mail@goldhydraulics.com