

Suction Fittings for Hydraulic Pump Motor

Suction Fittings, Inlet Fittings for Hydraulic Pumps and Hydraulic Motors

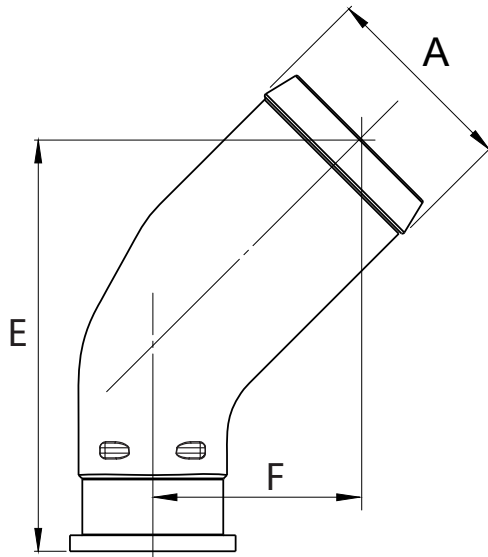
Designation;
Fittings



www.goldhydraulics.com

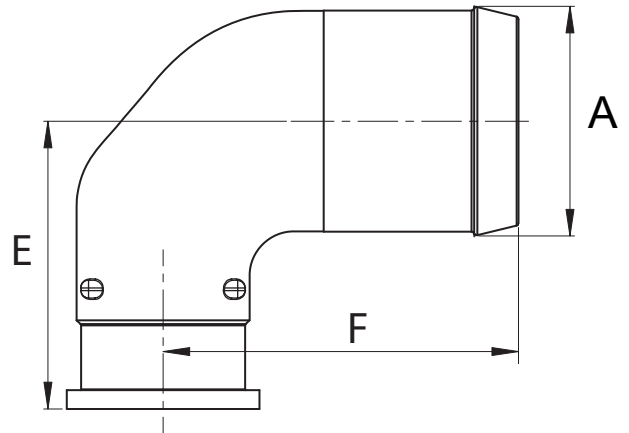
Suction Fittings, Inlet Fittings

45° elbow fittings



Ø hose	Ø A	E	F
1 1/2"	39.1	91.7	46.7
42	43	91.7	46.7
1 3/4"	46	91.7	46.7
2"	51.8	108.4	54.4
2 1/2"	64.5	125.2	62.2

90° elbow fittings

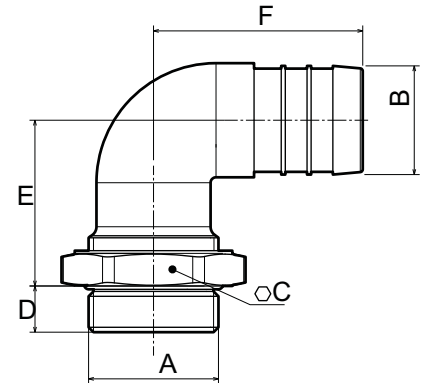


Ø hose	Ø A	E	F
1 1/2"	39.1	58.6	79.5
2"	51.8	64.9	80.2
2 1/2"	64.5	71.3	87.5

Suction Fittings, Inlet Fittings

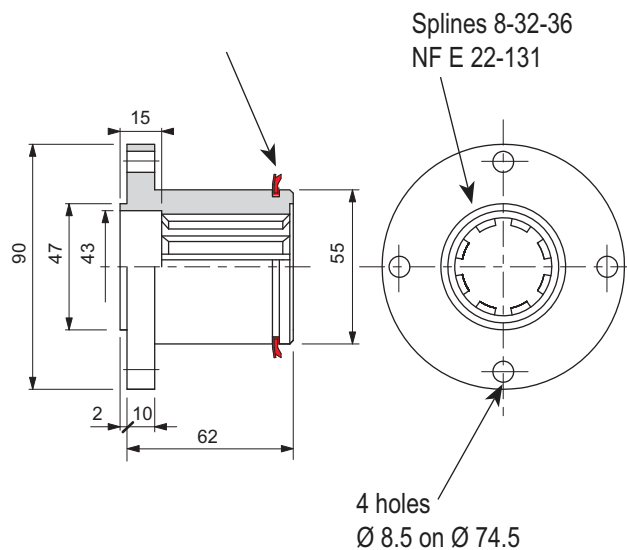
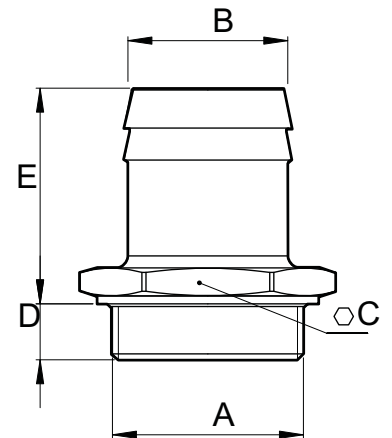
90° elbow fittings, swivel

Reference	A	Ø B	C	D	E	F
Pump	G 1 1/2"	40	60	17	61	77
Pump	G 1 1/2"	50	60	17	65	82
Pump	G 2"	50	70	17	65	82



Straight fittings

Reference	A	Ø B	C	D	E
Pump	G 1 1/2"	40	56	14	54
Pump	G 1 1/2"	50	52	14	66
Pump	G 1 1/2"	60	64	14	69
Pump	G 1 1/2"	63.5	64	14	69
Pump	G 2"	50	66	14	54
Pump	G 2"	60	66	14	72
Pump	G 1 1/2"	76.2	80	14	89



Suction Fittings, Inlet Fittings

Straight Suction Fittings

Ordering no.	A in. (mm)	B in. (mm)	C dia. in. (mm)
02005622	0 (0)	3.35" (85)	1.5" (38)
02005623	0.67" (17)	5.35" (136)	2.0" (50)
02005624	0.98" (25)	5.71" (145)	2.5" (63)
02005625	0.67" (17)	5.35" (136)	1.77" (45)
02005626	0.67" (17)	5.35" (136)	1.77" (48)

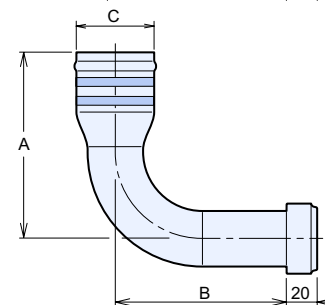
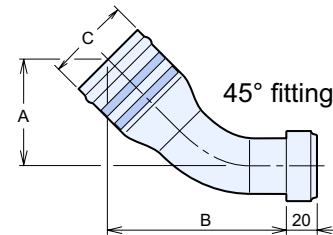
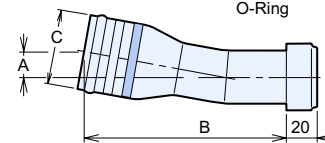
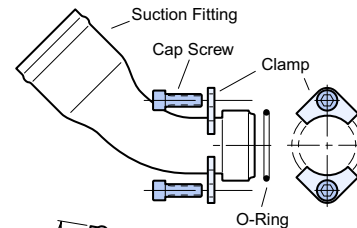
45° Suction Fittings

Ordering no.	A in. (mm)	B in. (mm)	C dia. in. (mm)
04505620	2.36" (60)	4.09" (104)	1.25" (32)
04505621	2.36" (60)	4.09" (104)	1.5" (38)
04505622	2.64" (67)	4.33" (110)	2" (50)
04505623	2.95" (75)	4.61" (117)	2.5" (63)
04505624	2.64" (67)	4.33" (110)	1.57" (40)
04505625	2.64" (67)	4.33" (110)	1.77" (45)
04505626	2.64" (67)	4.33" (110)	1.89" (48)

90° Suction Fittings

Ordering no.	A in. (mm)	B in. (mm)	C dia. in. (mm)
09005622	4.96" (126)	3.27" (83)	1.5" (38)
09005623	5.31" (135)	3.27" (83)	2" (50)
09005624	5.31" (135)	3.27" (83)	1.77"(45)
09005625	5.31" (135)	3.27" (83)	1.89" (48)
09005626	5.79" (147)	4.06" (103)	2.

5" (63)



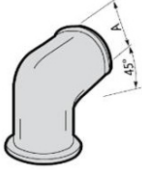
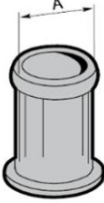
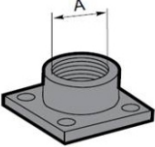
90° fitting

Markets

Applications

Forestry	Knuckle Boom Loader, Cranes, Mowers / Cutters
Construction	Off-Highway Trucks, Fan Drives
Mining	Dump Trucks
Material Handling	Truck Mounted Cranes, Lift Trucks
Recycling	Vaccum Truck Systems, Refuse Trucks - ASL, Rear Loaders
Military	

Suction Fittings, Inlet Fittings

	A		max l/min	 Code	 Code	 Code
	mm	inch				
12-64	32	1¼"	50		800	
80-90	38	1½"	65	700	801	
	42	15/8"	85	705		
	45	1¾"	110	706		
	50	2"	120	701	802	
	64	2½"	165	707		
			G1"	50		
84-108-130	38	1½"	65		803	
	42	15/8"	85	708		
56/26	45	1¾"	110	709		
53/53	50	2"	120	702	804	
	64	2½"	165	703	805	
	75	3"	260	710	806	
		G1¼"	80			601

Complete Product Range

Bent Axis Piston Motors

- A9MD** (DIN) Bent Axis Motors
- A9MO** (ISO) Bent Axis Motors
- A9MS** (SAE) Bent Axis Motors
- A9ML** (SAE2) Bent Axis Motors
- A9MF** (Fixed Plugin) Bent Axis Motors
- A10M** (HYBRID) Bent Axis Motors
- A7GM** Hydraulic Gear Motors
- A7GMT** Tandem Hydraulic Gear Motors

Bent Axis Piston Pumps

- A8PA** (Aluminum) Bent Axis Pumps
- A8PD** (DIN) Bent Axis Pumps
- A8PO** (ISO) Bent Axis Pumps
- A8PS** (SAE) Bent Axis Pumps
- A8PF** (Fixed Plugin) Bent Axis Pumps
- A10** (HYBRID) Bent Axis Pumps
- A11** (ISO2) Bent Axis Pumps
- A11** (SAE2) Bent Axis Pumps

Variable Displacement Pumps

- A12V** Variable Displacement Piston Pumps

Dual Flow Piston Pumps

- A8PL** (DIN) Dual Flow Pumps

Axial Piston & Gear Pumps

- A4PP** Axial Hydraulic Piston Pumps
- A6HP** High Pressure Piston Pumps
- A7GP** Hydraulic Gear Pumps
- A7GPT** Tandem Hydraulic Gear Pumps

Valve (ByPass) (Flushing) (Cavitation)

- Circulation Valve
- ByPass Valve
- Anti-Cavitation Valve
- Flushing Valve
- LS Valve
- AntiShock Valve
- Speed Sensor

Hydraulic Spare Parts

- Suction Fittings
- Couplers
- Adapters
- Flanges
- Power Take Off
- Monoblock Valve
- Section Valve

Hydraulic Pumps, Motors

Bent Axis Hydraulic Piston Motors, Bent Axis Hydraulic Piston Pumps, Piston Pumps, Variable Displacement Piston Pumps, Variable Displacement Piston Motors, Axial Piston Pumps, High Pressure Piston Pumps, Gear Pumps, Gear Motors, Hydraulic Valve.

www.goldhydraulics.com

Address;

HYDROGOLD HİDROLİK PNM. MAK. SAN. TİC. LTD. ŞTİ.

Address; (Fabrika, İmalat)

Fevzicakmak Mah. Sıla Cad. Kobisan 3 San. Sit.

No: 73 / C Karatay – Konya, PO Code; 42050, Türkiye

Address; (Montaj, Sevkiyat)

Fevzicakmak Mah. Sıla Cad. Kobisan 3 San. Sit.

No: 71 / AD Karatay – Konya, PO Code; 42050, Türkiye

Phone; +90 551 148 26 88

mail@goldhydraulics.com